

# Door Hardware Hinges 1/4" Radius

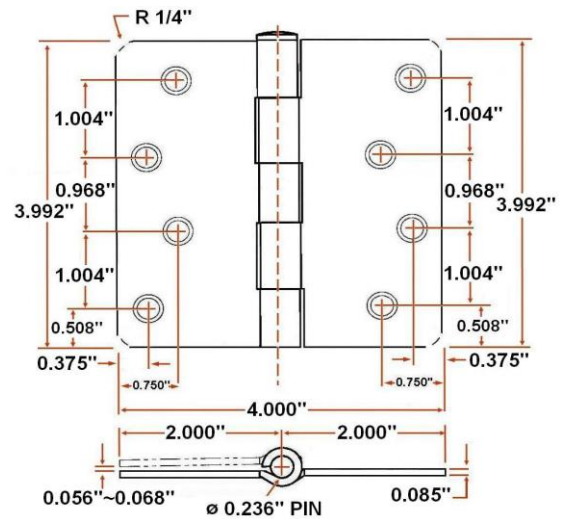
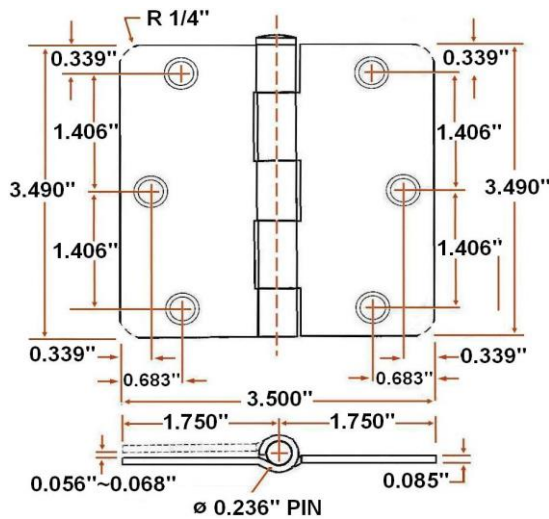


## Specifications

<b>Product Dimensions</b>	3-1/2" x 3-1/2"	4" x 4"
<b>Metal Material &amp; Gauge</b>	100% steel, 0.085" (2.2mm)	100% steel, 0.085" (2.2mm)
<b>Number of Holes</b>	6	8
<b>Mounting Screws Size</b>	#9x3/4" wood screw	#9x3/4" wood screw
<b>Pin Style</b>	Removable	Removable
<b>Pin Diameter</b>	dia. 0.236" (6mm)	dia. 0.236" (6mm)
<b>Corner Style</b>	1/4" Radius	1/4" Radius
<b>Packaging</b>	poly bag	poly bag



## Dimensions



## Warranty & Compliances

<b>Warranty</b>	Limited 1 year warranty
<b>ANSI/BHMA</b>	N/A



## Order Codes

	3.5" x 3.5" (1/4" Rad)	3-pack	10-pack	4" x 4" (1/4" Rad)	3-pack	10-pack
<b>Satin Brass</b>	202440	181339	181347	202531	181511	181529
<b>Satin Nickel</b>	202457	181354	181362	202549	181537	181545
<b>Oil Rubbed Bronze</b>	202465	181370	181388	202556	181552	181560

**Type:**  
**Job:**  
**Order Code:**  
**Approvals:**

Design House reserves the right to make changes in materials, specifications & models at any time. Design House also reserves the right to discontinue product without notice or obligation.