

Eastport 52" Ceiling Fan

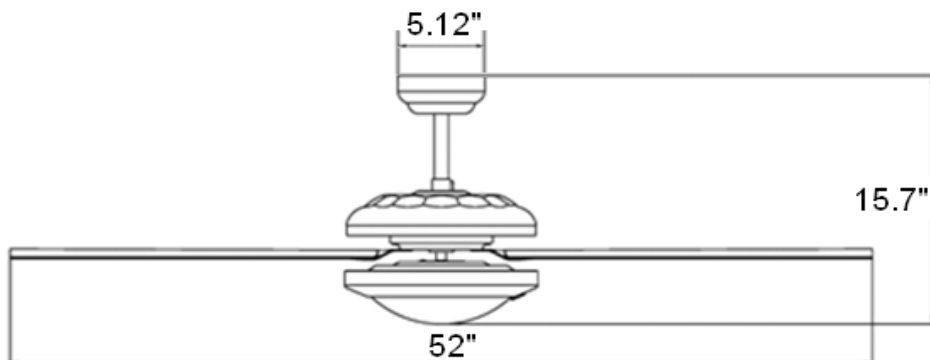


Specifications

Description:	Eastport 52" Ceiling Fan with Light
Material Construction:	Steel
Motor Size:	153mm Dia x 13mm H (16 pole)
Motor Control:	Pull Chain
Diameter:	52"
Downrod:	3/4" dia. X 6" long
Mounting:	Tri-mount
Blade Details:	5 blades; 11° pitch; reversible
Blade Material:	MDF
Voltage:	120V
Weight:	15.4 lbs.
Light:	Included
Bulb:	2 x 60W Candelabra Base Bulbs
Lens:	Opal Glass
Airflow at High Speed:	4500 CFM
Electricity Usage:	60 Watts
Airflow Efficiency:	75 CFM/W



Dimensions



Warranty & Compliances

Warranty	10 Year Limited Warranty
UL	UL Listed
Calif. 93120	California 93120 Complaint P1 PB & MDF
EPACT 2005	Fan is compliant with the Energy Policy Act 2005 and includes a device that limits the light kit wattage to 190W.

Order Codes

Type:
Job:
Order Code:
Approvals: