

25" X 22" X 8" 3 Holes SS Sink Single Bowl

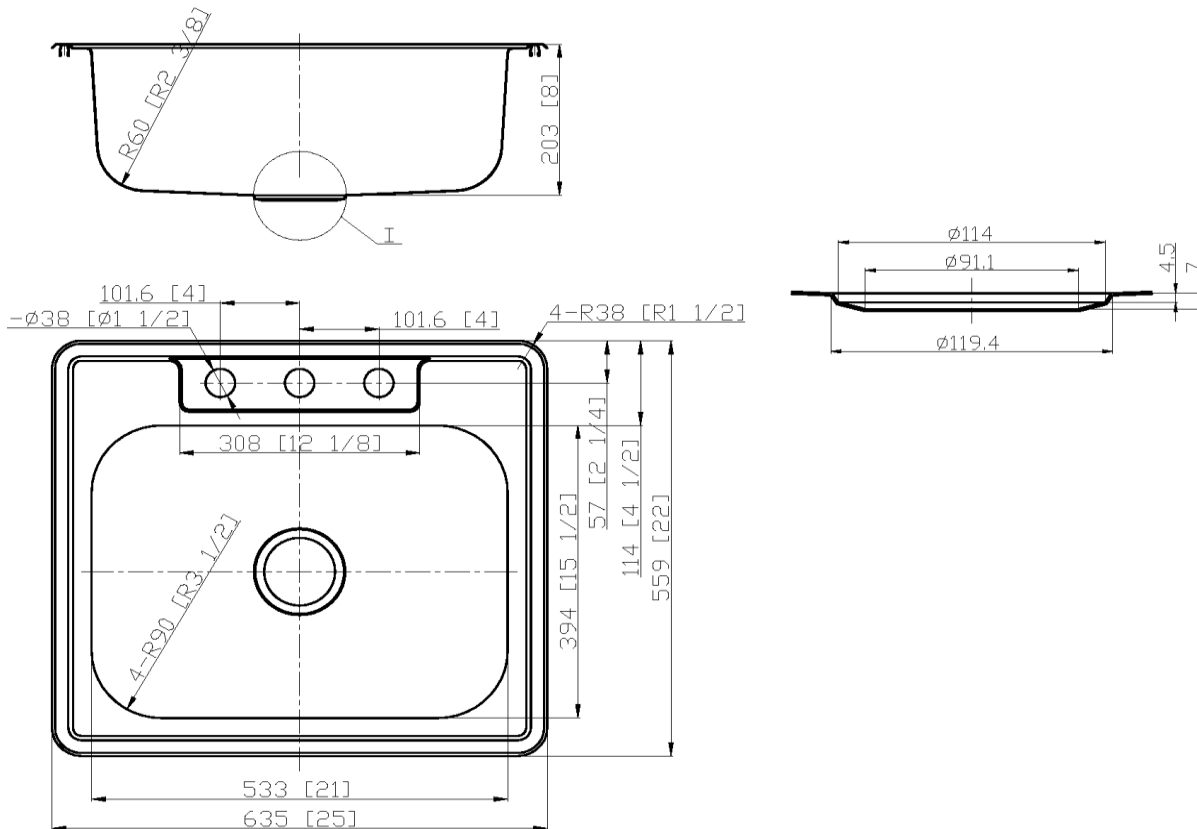


Specifications

- 25" x 22" x 8" SS Sink
- Single Bowl
- Three pre-drilled 4" center faucet holes
- 20 gauge SS 304
- Bottom sound deaden pad & cutting template included
- Fixing clips included
- All brush finish
- Sink Strainer not included



Dimensions



Warranty & Compliances

Warranty	Lifetime Limited Warranty
ASME/CSA	ASME A112.19.3-2008/CSA B45.4-08 (R2013) including Update No. 2 dated March 2011
Uniform Plumbing Code (UPC®)	compliance
National Plumbing Code of Canada	compliance



Order Codes & Finishes/Colors

25x22x8 110650
3 holes

Type: Job: Order Code: Approvals:
--