

SARATOGA Tub & Shower Faucet

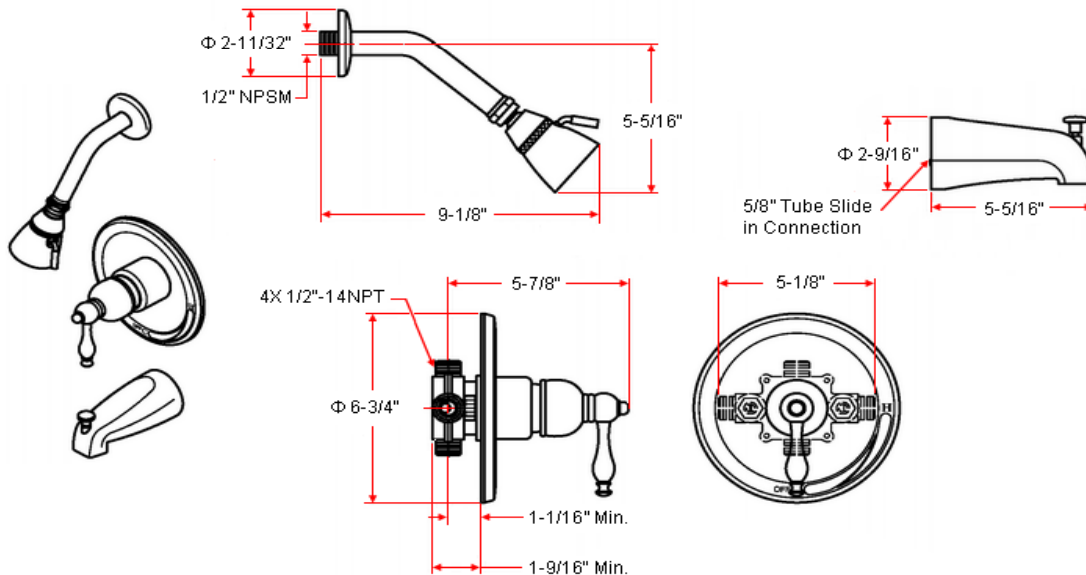


Specifications

Material Content	Brass body and handle with zinc spout
Cartridge	Ceramic Disc Cartridge; Pressure Balanced
Lever Handle Operation	(1/4) quarter turn stop
Spout	Pull-up diverter spout
Showerhead	Lever controls water flow from high to low
Max Waterflow	2.1 GPM@ 80 PSI



Dimensions



Warranty & Compliances

Warranty	Lifetime Limited Warranty
IAPMO/UPC	UPC & cUPC Compliant
ASME	ASME A112.18.1-05
ANSI	Compliant
ADA	Compliant
CSA	CSA B125.1-05



Order Codes & Finishes/Colors

Satin Nickel (US15)	529230		
Oil Rubbed Bronze (US10B)	527804		
Polished Chrome (US26)	528075		
Brushed Bronze	529172		

Type:
Job:
Order Code:
Approvals:

Design House reserves the right to make changes in materials, specifications & models at any time. Design House also reserves the right to discontinue product without notice or obligation.