

# LANGDON Tub & Shower Faucet

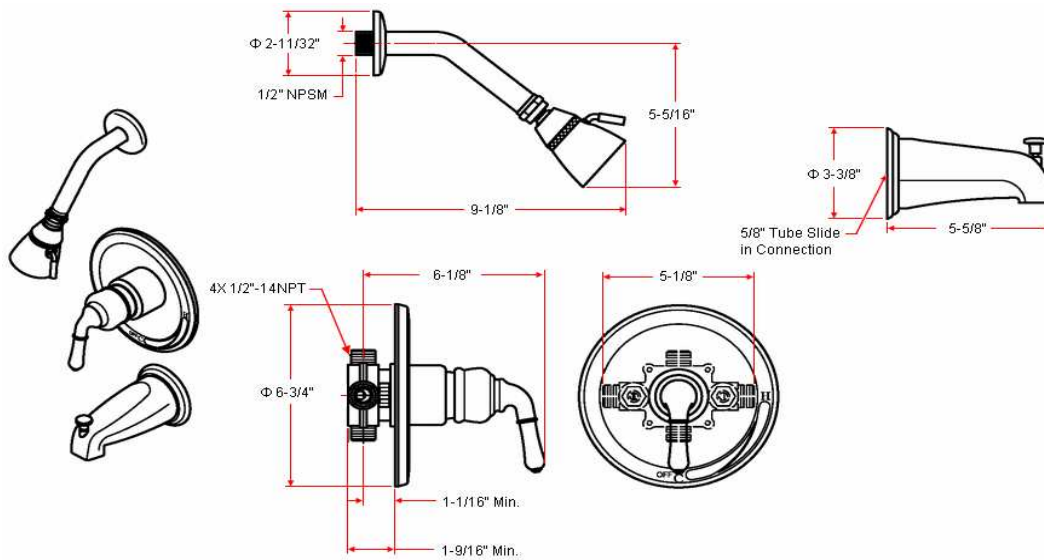


## Specifications

<b>Material Content</b>	Brass body with zinc handle and spout
<b>Cartridge</b>	Ceramic Disc Cartridge; Pressure Balanced
<b>Lever Handle Operation</b>	120° turn
<b>Spout</b>	Pull-up diverter spout
<b>Showerhead</b>	Lever controls water flow from high to low



## Dimensions



## Warranty & Compliances

<b>Warranty</b>	Lifetime Limited Warranty
<b>IAPMO/UPC</b>	UPC & cUPC Compliant
<b>ASME</b>	ASME A112.18.1-05
<b>ANSI</b>	Compliant
<b>ADA</b>	Compliant
<b>CSA</b>	CSA B125.1-05



## Order Codes & Finishes/Colors

<b>Satin Nickel (US15)</b>	528182
<b>Oil Rubbed Bronze (US10B)</b>	527770
<b>Antique Copper</b>	528190



Type:

Job:

Order Code:

Approvals:

Design House reserves the right to make changes in materials, specifications & models at any time. Design House also reserves the right to discontinue product without notice or obligation.