

# Dunhill Kitchen Faucet

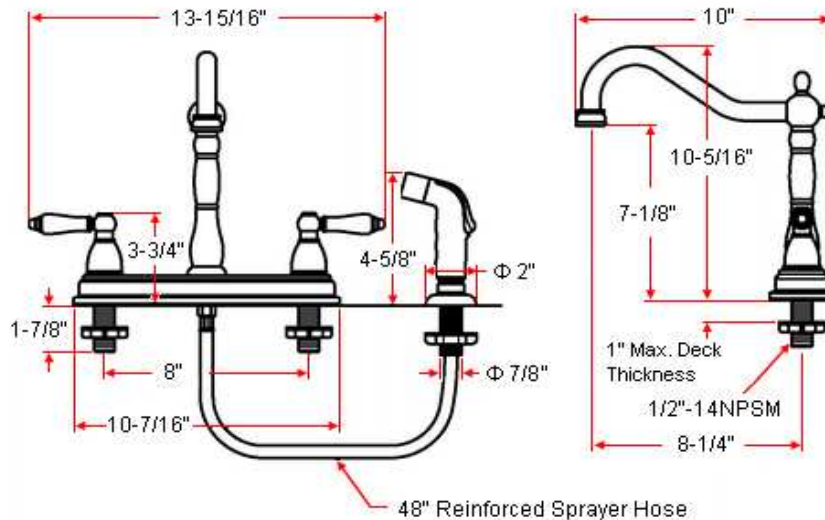


## Specifications

<b>Flow Rate (GPM)</b>	1.8 GPM @ 60 psi
<b>Material Content</b>	Brass body with brass and zinc handle
<b>Pop-Up Drain</b>	N/A
<b>Spout Reach</b>	8-1/4"
<b>Cartridge</b>	Washerless cartridge
<b>Lever Handle Operation</b>	(1/4) quarter turn stop
<b>Installation Type</b>	4-hole, 8" center mount
<b>Sprayer</b>	External ABS pull-out sprayer (48" soft hose)



## Dimensions



## Warranty & Compliances

<b>Warranty</b>	Lifetime Limited Warranty
<b>IAPMO/UPC</b>	UPC & cUPC Compliant
<b>ASME</b>	ASME A112.18.1-05
<b>ANSI</b>	Compliant
<b>ADA</b>	Compliant
<b>NSF</b>	Compliant
<b>CSA</b>	Compliant



## Order Codes & Finishes/Colors

<b>Satin Nickel (US15)</b>	527127	
<b>Oil Rubbed Bronze (US10B)</b>	527366	
<b>Polished Chrome (US26)</b>	527135	
<b>Brushed Bronze</b>	527119	

**Type:**

**Job:**

**Order Code:**

**Approvals:**

Design House reserves the right to make changes in materials, specifications & models at any time. Design House also reserves the right to discontinue product without notice or obligation.