

Dunhill Kitchen Faucet

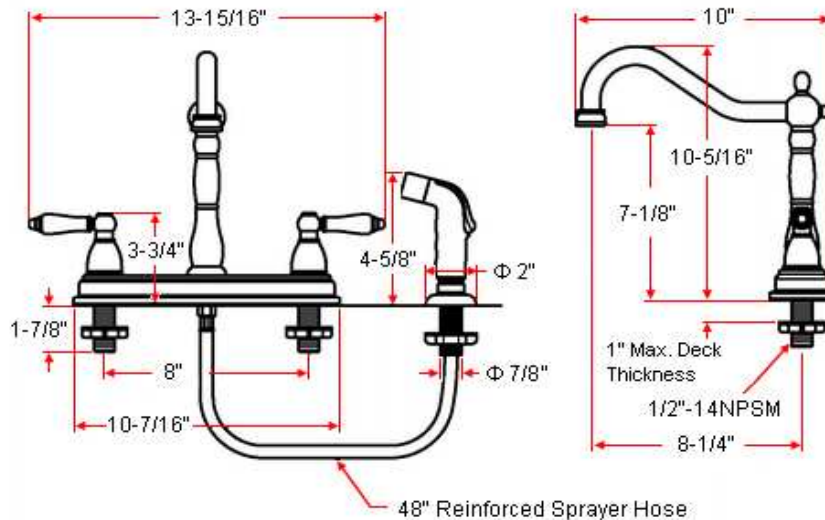


Specifications

| | |
|-------------------------------|---|
| Flow Rate (GPM) | 1.8 GPM @ 60 psi |
| Material Content | Brass body with brass and zinc handle |
| Pop-Up Drain | N/A |
| Spout Reach | 8-1/4" |
| Cartridge | Washerless cartridge |
| Lever Handle Operation | (1/4) quarter turn stop |
| Installation Type | 4-hole, 8" center mount |
| Sprayer | External ABS pull-out sprayer (48" soft hose) |



Dimensions



48" Reinforced Sprayer Hose

Warranty & Compliances

| | |
|------------------|---------------------------|
| Warranty | Lifetime Limited Warranty |
| IAPMO/UPC | UPC & cUPC Compliant |
| ASME | ASME A112.18.1-05 |
| ANSI | Compliant |
| ADA | Compliant |
| NSF | Compliant |
| CSA | Compliant |



Order Codes & Finishes/Colors

| | | |
|----------------------------------|--------|--|
| Satin Nickel (US15) | 527127 | |
| Oil Rubbed Bronze (US10B) | 527366 | |
| Polished Chrome (US26) | 527135 | |
| Brushed Bronze | 527119 | |

Type:

Job:

Order Code:

Approvals:

Design House reserves the right to make changes in materials, specifications & models at any time. Design House also reserves the right to discontinue product without notice or obligation.