

# Dunhill Widespread Faucet

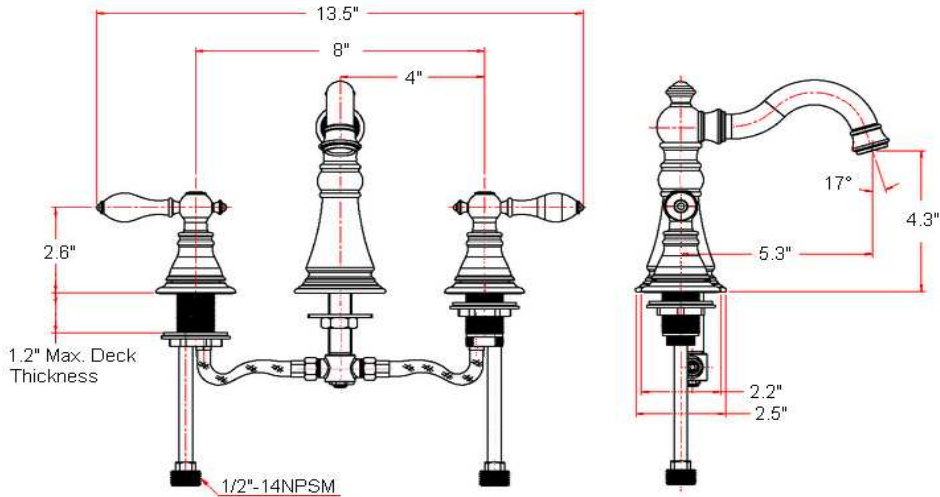


## Specifications

|                               |                                   |
|-------------------------------|-----------------------------------|
| <b>Flow Rate (GPM)</b>        | 1.90 GPM @ 60 psi                 |
| <b>Material Content</b>       | Brass body with zinc alloy handle |
| <b>Pop-Up Drain</b>           | Metal pop-up                      |
| <b>Spout Reach</b>            | 5.3"                              |
| <b>Cartridge</b>              | Ceramic disk Cartridge            |
| <b>Lever Handle Operation</b> | (1/4) quarter turn stop           |
| <b>Installation Type</b>      | 3-hole, 6-12" center mount        |



## Dimensions



## Warranty & Compliances

|                  |                           |
|------------------|---------------------------|
| <b>Warranty</b>  | Lifetime Limited Warranty |
| <b>IAPMO/UPC</b> | UPC & cUPC Compliant      |
| <b>ASME</b>      | ASME A112.18.1            |
| <b>ANSI</b>      | Compliant                 |
| <b>ADA</b>       | Compliant                 |
| <b>NSF</b>       | Compliant                 |
| <b>CSA</b>       | Compliant                 |



## Order Codes & Finishes/Colors

|                                  |        |  |
|----------------------------------|--------|--|
| <b>Satin Nickel (US15)</b>       | 526954 |  |
| <b>Oil Rubbed Bronze (US10B)</b> | 526947 |  |
| <b>Polished Chrome (US26)</b>    | 526962 |  |

**Type:**

**Job:**

**Order Code:**

**Approvals:**

Design House reserves the right to make changes in materials, specifications & models at any time. Design House also reserves the right to discontinue product without notice or obligation.