

# Dunhill Tub & Shower Faucet

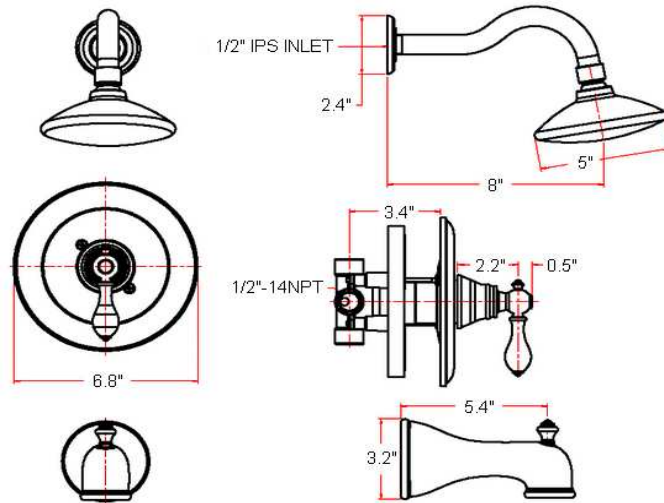


## Specifications

<b>Material Content</b>	Brass body with zinc alloy handle and spout
<b>Cartridge</b>	Ceramic Disc Cartridge; Pressure Balanced
<b>Lever Handle Operation</b>	(1/4) quarter turn stop
<b>Spout</b>	Pull-up diverter spout
<b>Showerhead</b>	Single Function



## Dimensions



## Warranty & Compliances

<b>Warranty</b>	Lifetime Limited Warranty
<b>IAPMO/UPC</b>	UPC & cUPC Compliant
<b>ASME</b>	ASME A112.18.1
<b>ANSI</b>	Compliant
<b>ADA</b>	Compliant
<b>CSA</b>	Compliant



## Order Codes & Finishes/Colors

<b>Satin Nickel (US15)</b>	526905		
<b>Oil Rubbed Bronze (US10B)</b>	526913		
<b>Polished Chrome (US16)</b>	526897		

Type:

Job:

Order Code:

Approvals:

Design House reserves the right to make changes in materials, specifications & models at any time. Design House also reserves the right to discontinue product without notice or obligation.