

Dunhill Kitchen Faucet

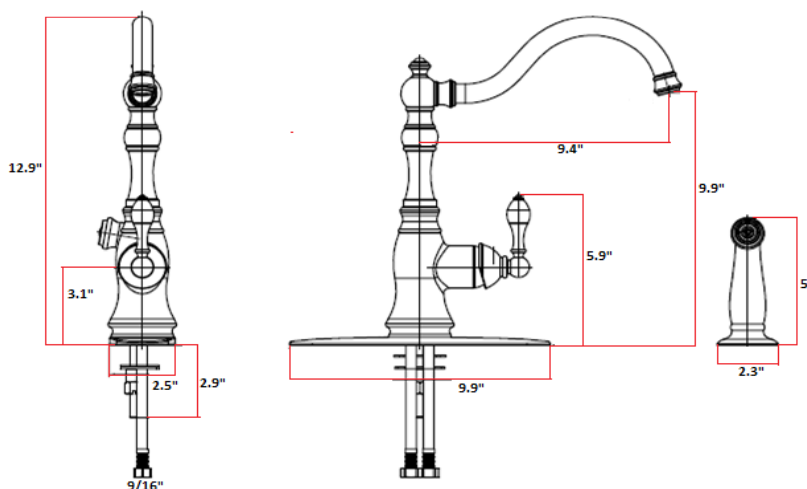


Specifications

Flow Rate (GPM)	1.80 GPM @ 60 psi
Material Content	Brass body with zinc handle
Pop-Up Drain	N/A
Spout Reach	9.4"
Cartridge	Ceramic disk Cartridge
Lever Handle Operation	(1/4) quarter turn stop
Installation Type	Single hole or 3 hole mount
Sprayer	Sidesprayer



Dimensions



Warranty & Compliances

Warranty	Lifetime Limited Warranty
IAPMO/UPC	UPC & cUPC Compliant
AB 1953	Compliant
ASME	ASME A112.18.1
ANSI	Compliant
ADA	Compliant
NSF	NSF 61-9
CSA	CSA B125-1



Order Codes & Finishes/Colors

Satin Nickel (US15)	526871	TRU (dh) MATCH
Oil Rubbed Bronze (US10B)	526889	TRU (dh) MATCH
Polished Chrome (US26)	526863	TRU (dh) MATCH

Type:

Job:

Order Code:

Approvals: