

Dunhill Lavatory Faucet

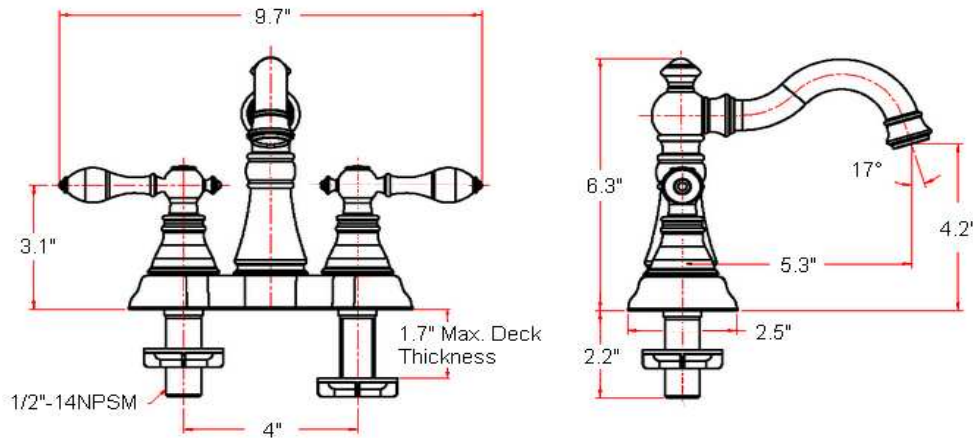


Specifications

| | |
|-------------------------------|-----------------------------------|
| Flow Rate (GPM) | 1.82 GPM @ 60 psi |
| Material Content | Brass body with zinc alloy handle |
| Pop-Up Drain | Metal pop-up |
| Spout Reach | 5.3" |
| Cartridge | Ceramic disk Cartridge |
| Lever Handle Operation | (1/4) quarter turn stop |
| Installation Type | 3-hole, 4" center mount |



Dimensions



Warranty & Compliances

| | |
|------------------|---------------------------|
| Warranty | Lifetime Limited Warranty |
| IAPMO/UPC | UPC & cUPC Compliant |
| ASME | ASME A112.18.1 |
| ANSI | Compliant |
| ADA | Compliant |
| NSF | Compliant |
| CSA | Compliant |



Order Codes & Finishes/Colors

| | | |
|----------------------------------|--------|--|
| Satin Nickel (US15) | 526921 | |
| Oil Rubbed Bronze (US10B) | 526855 | |
| Polished Chrome (US26) | 526939 | |

Type:

Job:

Order Code:

Approvals:

Design House reserves the right to make changes in materials, specifications & models at any time. Design House also reserves the right to discontinue product without notice or obligation.