

# Madison Single Handle Tub and Shower Faucet

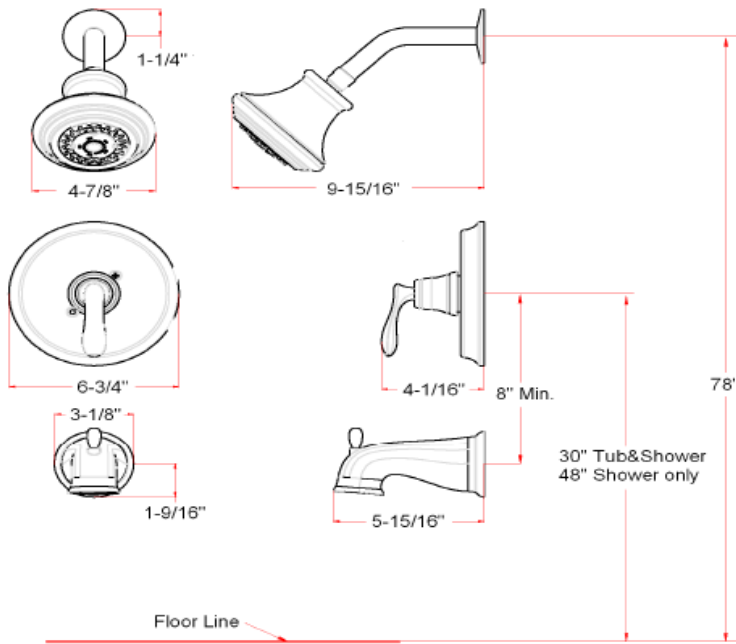


## Specifications

|                      |                                     |
|----------------------|-------------------------------------|
| <b>Handle</b>        | Zinc handle, 1/4 quarter turn stop  |
| <b>Cartridge</b>     | Pressure Balance                    |
| <b>Max Waterflow</b> | 2.0GPM@ 80 PSI                      |
| <b>Shower Arm</b>    | Metal shower arm & flange           |
| <b>Shower Head</b>   | Plastic shower head with 3 function |
| <b>Spout</b>         | Pull-up diverter spout              |



## Dimensions



## Warranty & Compliances

|                    |   |
|--------------------|---|
| <b>Warranty</b>    | Lifetime Limited Warranty, Lifetime Limited Finish Warranty |
| <b>IAPMO/UPC</b>   | CUPC compliant  |
| <b>ASME</b>        | ASME A112.18.1-2012/CSA B1255.1-12                          |
| <b>ADA</b>         | Compliant   |
| <b>WaterSense®</b> | Compliance with EPA WaterSense                              |



## Order Codes & Finishes/Colors

|                     |        |  |
|---------------------|--------|--|
| Satin Nickel (US15) | 525782 |  |
| Polished Chrome     |        |  |
| Oil Rubbed Bronze   | 525774 |  |

Type:

Job:

Order Code:

Approvals:

Design House reserves the right to make changes in materials, specifications & models at any time. Design House also reserves the right to discontinue product without notice or obligation.