

Dunhill Roman Tub Faucet

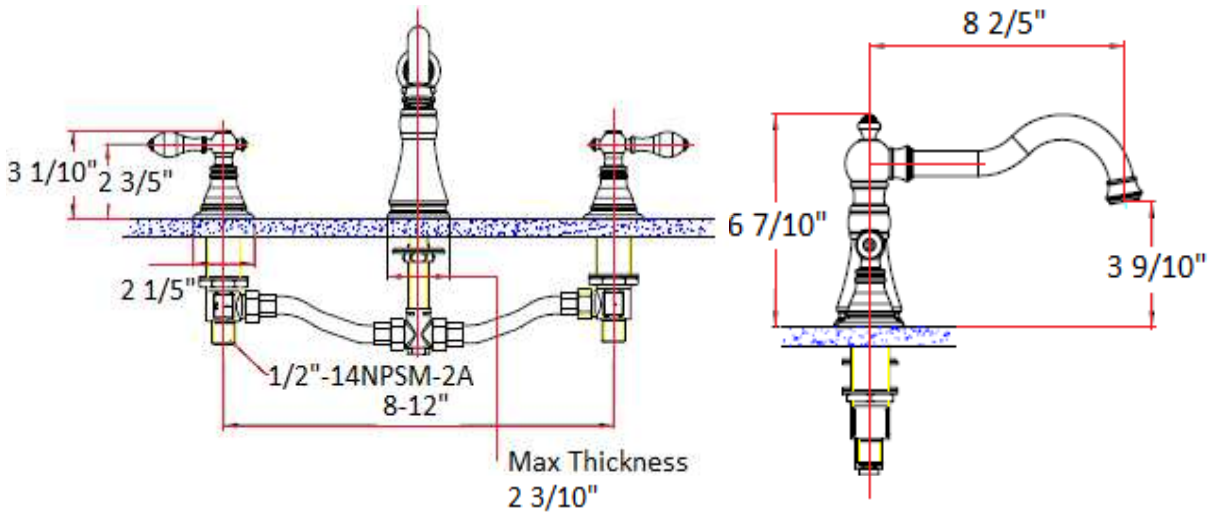


Specifications

Flow Rate (GPM)	2.2 GPM @ 60 PSI
Material Content:	Zinc handle, without sprayer
Spout dimensions	8 2/5"
Cartridge	Ceramic Disk
Hand held sprayer	Not included
Lever handle operation	(1/4) quarter turn stop



Dimensions



Warranty & Compliances

Warranty	Lifetime Limited Warranty
IAPMO	UPC & cUPC Compliant
ASME	ASME A112. 18. 1-05
ANSI	Compliant
ADA	Compliant
NSF	Compliant



Order Codes & Finishes/Colors

Satin Nickel	525261	
Polished Chrome	525253	
Oil Rubbed Bronze	525279	

Type:

Job:

Order Code:

Approvals: