

Dunhill Kitchen Faucet with Sprayer

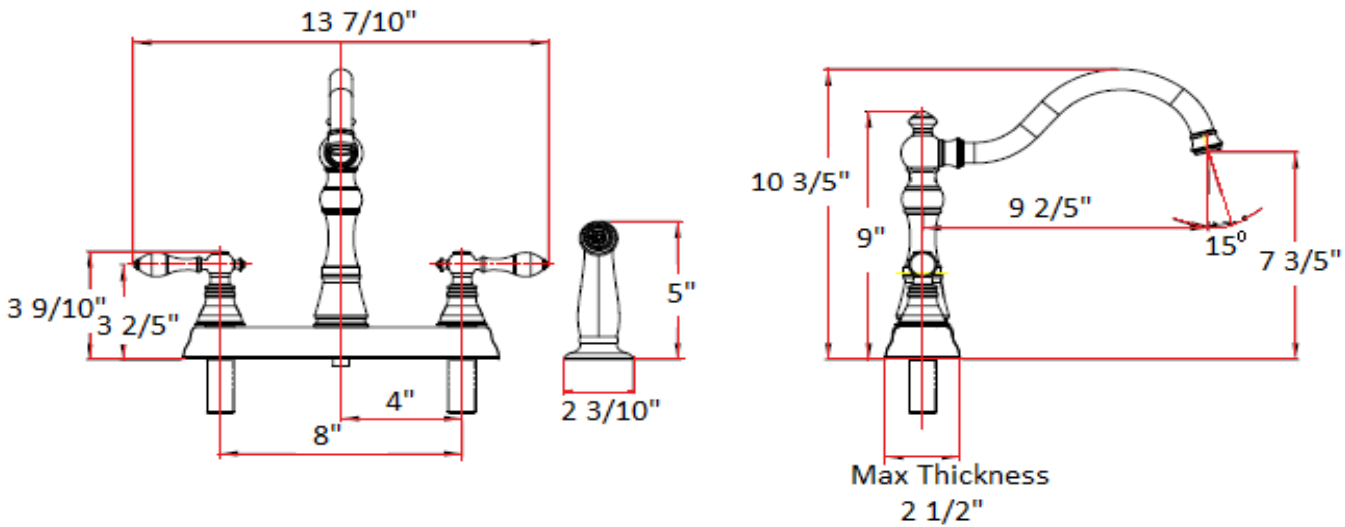


Specifications

Flow Rate (GPM)	2.2 GPM @ 60 PSI
Material Content	Zinc handle
Spout Reach	9 2/5"
Cartridge	Ceramic Disk
Lever handle operation	(1/4) quarter turn stop
Sprayer	Side Sprayer
InstallationType	3 or 4 Holes



Dimensions



Warranty & Compliances

Warranty	Lifetime Limited Warranty
IAPMO	UPC & cUPC Compliant
ASME	ASME A112. 18. 1-05
ANSI	Compliant
ADA	Compliant
NSF	Compliant
AB-1953	Compliant



Order Codes & Finishes/Colors

Satin Nickel	525196	
Polished Chrome	525188	
Oil Rubbed Bronze	525204	

Type:

Job:

Order Code:

Approvals: