

# Ashland Bar Faucet

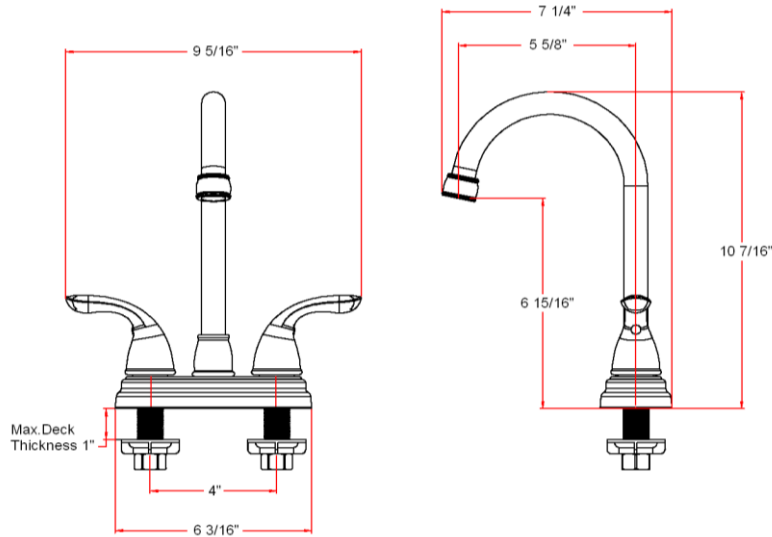


## Specifications

<b>Flow Rate (GPM)</b>	1.9 GPM @ 60 psi
<b>Material Content</b>	AB1953 platform hybrid body with zinc handle
<b>Pop-Up Drain</b>	N/A
<b>Spout Reach</b>	5-5/8"
<b>Cartridge</b>	Ceramic disk
<b>Lever Handle Operation</b>	(1/4) quarter turn stop
<b>Installation Type</b>	3-hole, 4" center mount



## Dimensions



## Warranty & Compliances

<b>Warranty</b>	Lifetime Limited Warranty
<b>IAPMO/UPC</b>	UPC & cUPC Compliant
<b>ASME</b>	ASME A112.18.1-05
<b>ANSI</b>	Compliant
<b>ADA</b>	Compliant
<b>NSF</b>	Compliant
<b>Lead Free</b>	Fed. Public Law 111-380 (1/2014)



## Order Codes & Finishes/Colors

<b>Polished Chrome (US26)</b>	525105	
<b>Satin Nickel (US15)</b>	525113	
<b>Oil Rubbed Bronze (US10B)</b>	525121	

**Type:**

**Job:**

**Order Code:**

**Approvals:**

Design House reserves the right to make changes in materials, specifications & models at any time. Design House also reserves the right to discontinue product without notice or obligation.