

Ashland Two Handle Kitchen Faucet with Side Sprayer

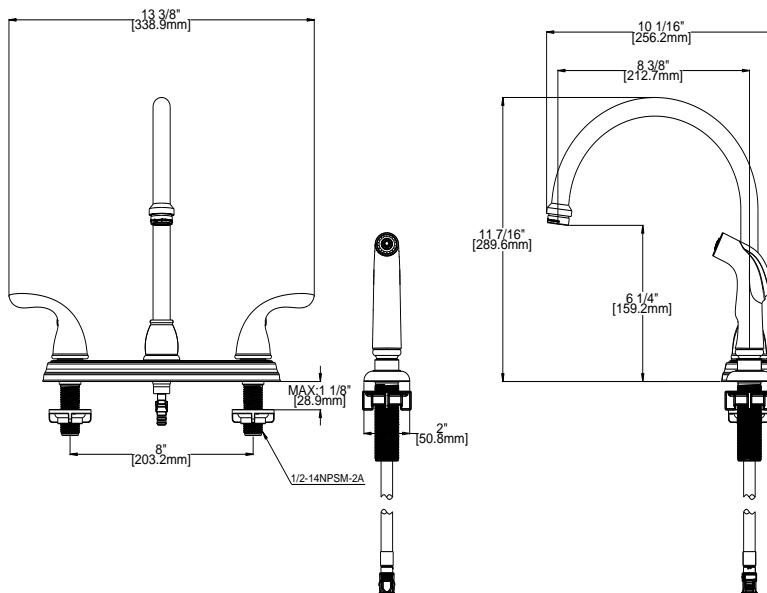


Specifications

Handle	Zinc handle
Spout	Brass
Cartridge	Ceramic disc cartridge
Waterway	Hybrid
Quick Connect	Yes
Max Waterflow	1.8GPM@ 60 PSI
Spout Reach	8-3/8"
Spout Height	6-1/4"
Mouting Holes	3 or 4
Max Deck Thickness	1 1/8"
Sprayer	External ABS side sprayer



Dimensions



Warranty & Compliances

Warranty	Lifetime Limited Warranty, Lifetime Limited Finish Warranty
IAPMO/UPC	CUPC compliant
ASME	ASME A112.18.1-2012/CSA B1255.1-12
NSF/ANSI	NSF/ANSI 372
Lead Free	AB1953 compliant
ADA	Compliant



Order Codes & Finishes/Colors

Brushed Nickel (US15)	525089
Polished Chrome	525071
Oil Rubbed Bronze	525097



Type:
Job:
Order Code:
Approvals:

Design House reserves the right to make changes in materials, specifications & models at any time. Design House also reserves the right to discontinue product without notice or obligation.