

Air Shower Head Kit

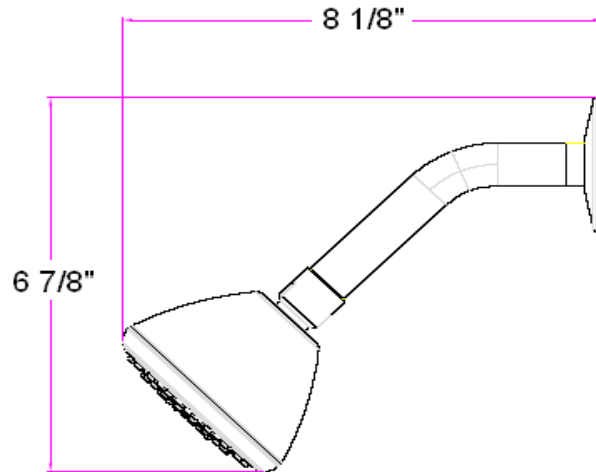
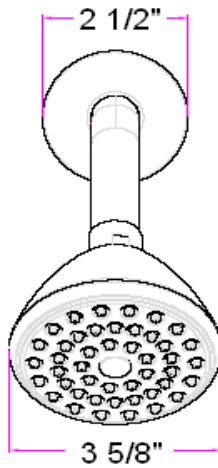


Specifications

Material	S.S flange, arm and ABS shower head
Functionality	Single function
GPM @ 80PSI	2.0 GPM using valve P# 524744



Dimensions



Warranty & Compliances

Warranty	Lifetime Limited Warranty
-----------------	---------------------------



Order Codes & Finishes/Colors

Satin Nickel (US15)	524785
Oil Rubbed Bronze (US10B)	522698
Polished Chrome (US26)	524769



Type:
Job:
Order Code:
Approvals:

Design House reserves the right to make changes in materials, specifications & models at any time. Design House also reserves the right to discontinue product without notice or obligation.