

Eden Two Handle Wide Spread Lavatory Faucet

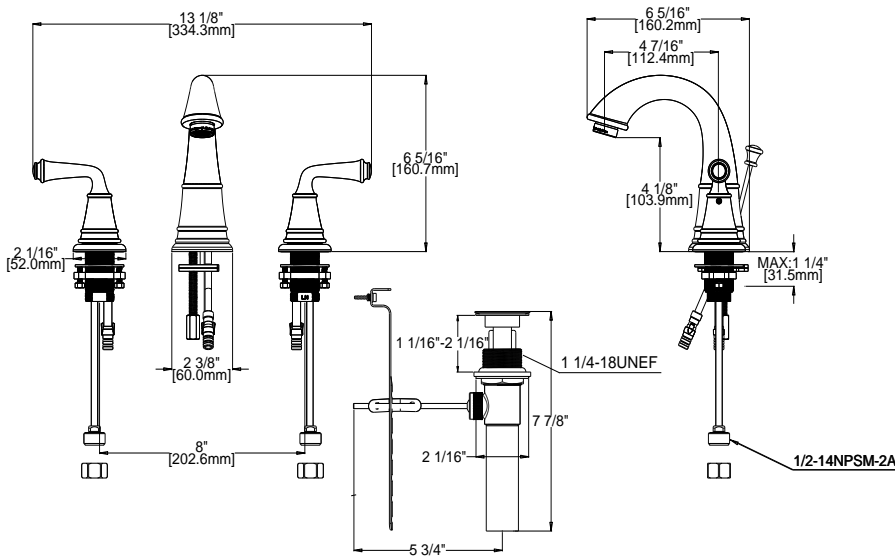


Specifications

Handle	Zinc handle
Spout	Brass
Cartridge	Ceramic disc Cartridge
Waterway	Brass
Max Waterflow	1.2GPM@ 60 PSI
Quick connect	Yes
Spout Reach	4-7/16"
Spout Height	4-1/8"
Mouting Holes	3-hole, 8" center mount
Max Deck Thickness	1-1/4"
Popup	Brass



Dimensions



Warranty & Compliances

Warranty	Lifetime Limited Warranty, Lifetime Limited Finish Warranty
IAPMO/UPC	CUPC compliant
ASME	ASME A112.18.1-2012/CSA B1255.1-12
NSF/ANSI	NSF/ANSI 372
Lead Free	AB1953 compliant
WaterSense®	Compliance with EPA WaterSense® High Efficiency Lavatory Faucet Specification
ADA	Compliant



Order Codes & Finishes/Colors

- Brushed Nickel (US15)
- Polished Chrome
- Oil Rubbed Bronze

524579



Type:
Job:
Order Code:
Approvals:

Design House reserves the right to make changes in materials, specifications & models at any time. Design House also reserves the right to discontinue product without notice or obligation.