

# Eden Lavatory Faucet

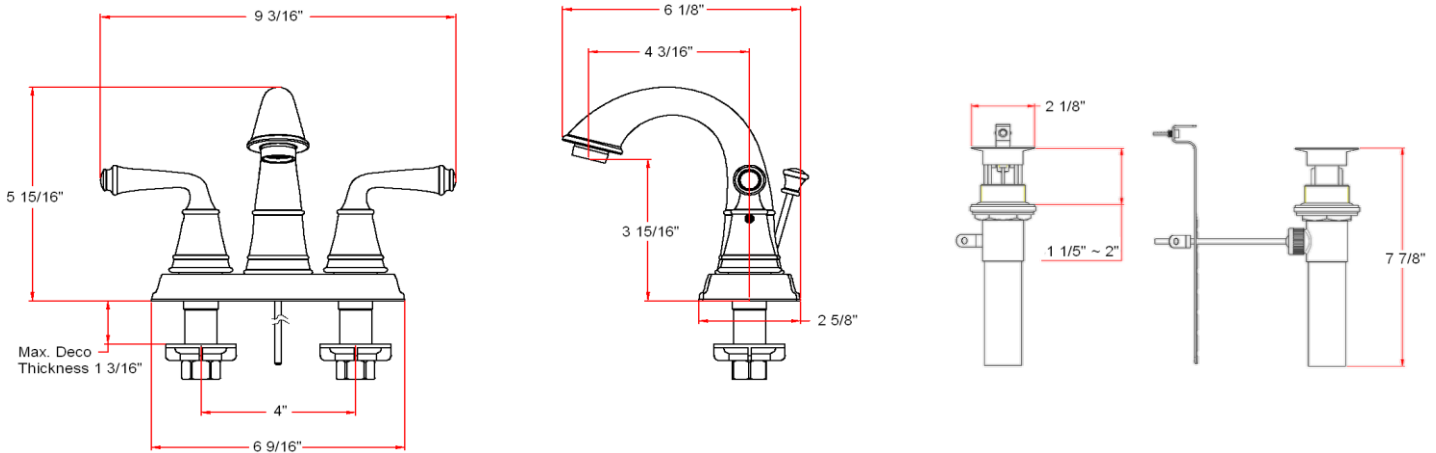


## Specifications

|                               |  |
|-------------------------------|--|
| <b>Flow Rate (GPM)</b>        | 1.3GPM @ 60 psi                              |
| <b>Material Content</b>       | AB1953 platform hybrid body with zinc handle |
| <b>Pop-Up Drain</b>           | Brass pop-up                                 |
| <b>Spout Reach</b>            | 4-3/16"                                      |
| <b>Cartridge</b>              | Ceramic disc                                 |
| <b>Lever Handle Operation</b> | (1/4) quarter turn stop                      |
| <b>Installation Type</b>      | 3-hole, 4" center mount                      |



## Dimensions



## Warranty & Compliances

|                   |                            |
|-------------------|----------------------------|
| <b>Warranty</b>   | Lifetime Limited Warranty  |
| <b>IAPMO/UPC</b>  | UPC & cUPC Compliant       |
| <b>ASME</b>       | ASME A112.18.1-05          |
| <b>ANSI</b>       | Compliant                  |
| <b>ADA</b>        | Compliant                  |
| <b>NSF</b>        | Compliant                  |
| <b>Lead Free</b>  | Fed. P.L. 111-380 (1/2014) |
| <b>Watersense</b> | Compliant                  |



## Order Codes & Finishes/Colors

|                                  |        |
|----------------------------------|--------|
| <b>Polished Chrome (US26)</b>    | 524512 |
| <b>Oil Rubbed Bronze (US10B)</b> | 524538 |



**Type:**

**Job:**

**Order Code:**

**Approvals:**

Design House reserves the right to make changes in materials, specifications & models at any time. Design House also reserves the right to discontinue product without notice or obligation.