

Oakmont Double Handle Tub and Shower Faucet

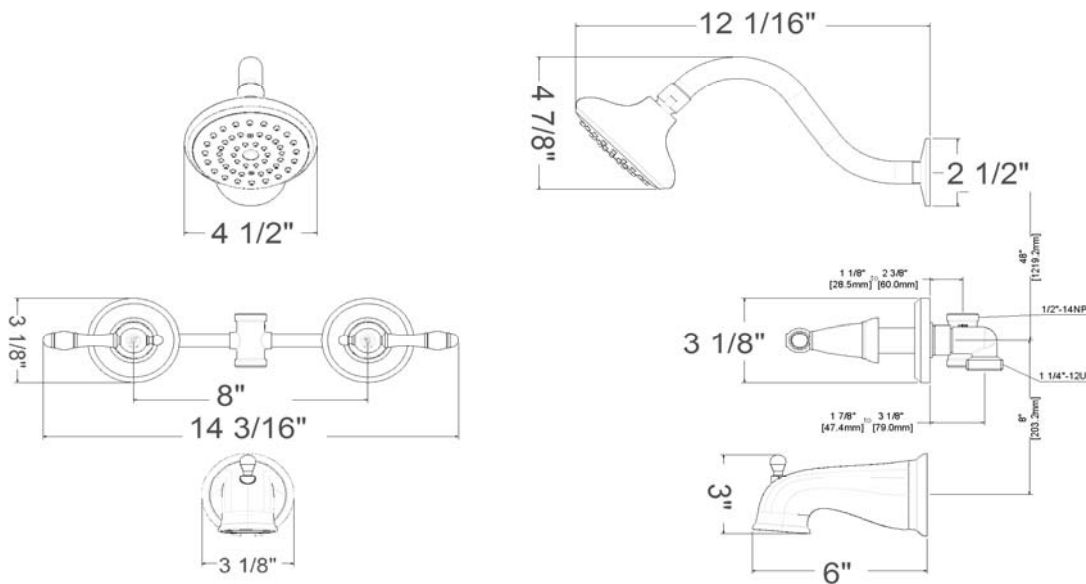


Specifications

Handle	Zinc handle, 1/4 quarter turn stop
Tub Spout	Slip fit tub spout
Escutcheon	Stainless Steel material, with Laser H&C letters
Cartridge	Washerless
Shower head	Single function ABS shower head, WaterSense® Showerhead
Shower arm	Brass
Max Waterflow	2.0 GPM@ 80 PSI
Min Waterflow	1.5 GPM@ 45 PSI



Dimensions



Warranty & Compliances

Warranty	Lifetime Limited Warranty, Lifetime Limited Finish Warranty
IAPMO/UPC	CUPC compliant
ASME	ASME A112.18.1/ CSA B125.1
ADA	Compliant
WaterSense®	WaterSense® Showerheads



Order Codes & Finishes/Colors

Oil Rubbed Bronze (US10B)	523472	
Satin Nickel (US15)	523480	

Type:

Job:

Order Code:

Approvals:

Design House reserves the right to make changes in materials, specifications & models at any time. Design House also reserves the right to discontinue product without notice or obligation.