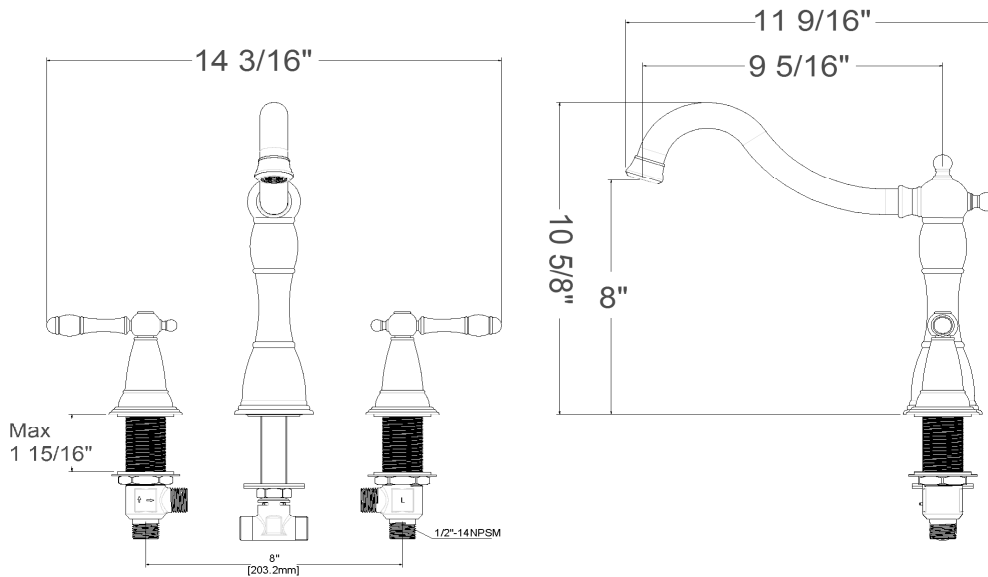


Oakmont Double Handle Roman Tub Faucet



Specifications

Handle	Zinc handle, 1/4 quarter turn stop
Spout	Brass
Cartridge	Ceramic disc
Waterway	Brass waterway
Max Waterflow	7.9 GPM @ 20PSI
Spout Reach	9 5/16"
Spout Height	8"
Mouting Holes	3
Mouting Center	8"-16"
Max Deck Thickness	1 15/16"



Warranty & Compliances

Warranty	Lifetime Limited Warranty, Lifetime Limited Finish Warranty
IAPMO/UPC	CUPC compliant
ASME	ASME A112.18.1/ CSA B125.1
ADA	Compliant



Order Codes & Finishes/Colors

Oil Rubbed Bronze (US10B)	523431	
Satin Nickel (US15)	523449	

Type:

Job:

Order Code:

Approvals:

Design House reserves the right to make changes in materials, specifications & models at any time. Design House also reserves the right to discontinue product without notice or obligation.