

Hathaway Wide Spread Two Handle Lavatory Faucet

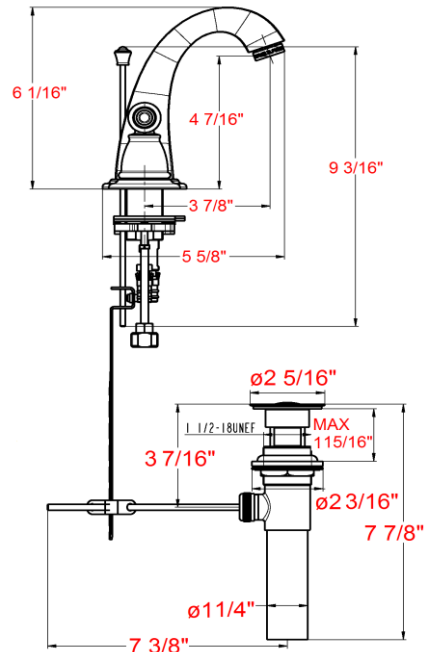
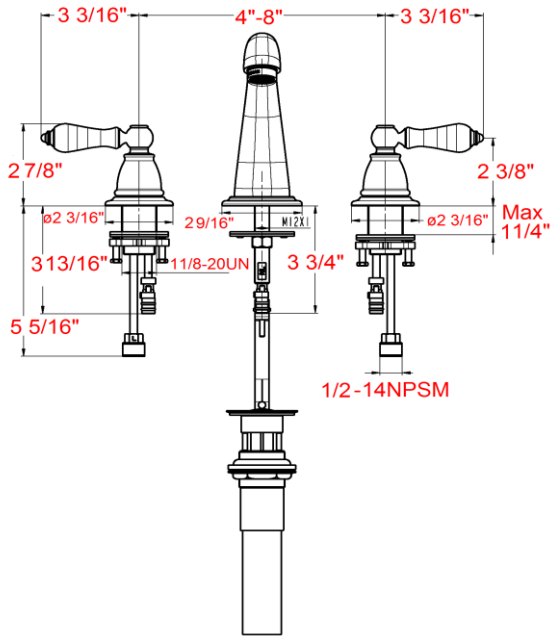


Specifications

Handle	Zinc handle, 1/4 quarter turn stop
Spout	Brass
Cartridge	Ceramic cartridge
Popup	Metal popup
Waterway	Brass
Max Waterflow	1.5 GPM@ 60 PSI
Spout Reach	3 7/8"
Spout Height	4 7/16"
Mouting Holes	3
Mouting Center	6-12"
Max Deck Thickness	1 1/4"



Dimensions



Warranty & Compliances

Warranty	Lifetime Limited Warranty, Lifetime Limited Finish Warranty
IAPMO/UPC	CUPC compliant
ASME	ASME A112.18.1/ CSA B125.1
NSF/ANSI	NSF/ANSI 61
Lead Free	Fed. P.L. 111-380 (1/2014)
WaterSense®	Compliance with EPA WaterSense® High Efficiency Lavatory Faucet Specification .
ADA	Compliant



NSF / ANSI 61



Order Codes & Finishes/Colors

Oil Rubbed Bronze (US10B)	523381	
Satin Nickel (US15)	523373	
Polished Chrome	523399	

Type:

Job:

Order Code:

Approvals:

Design House reserves the right to make changes in materials, specifications & models at any time. Design House also reserves the right to discontinue product without notice or obligation.