

Torino Roman Tub Sprayer Kit

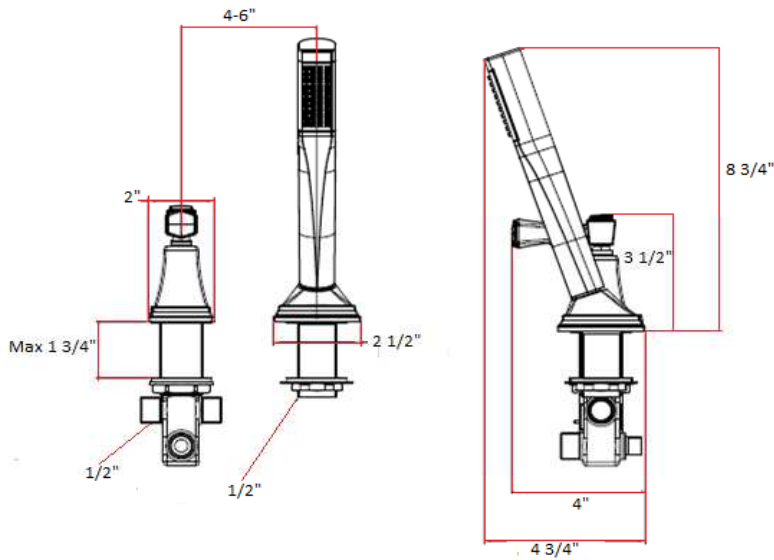


Specifications

Material Content Zinc handle
 Lever Handle Operation (1/4) quarter turn stop



Dimensions



Warranty & Compliances

Warranty Lifetime Limited Warranty
 IAPMO UPC & cUPC Compliant
 ASME ASME A112. 18. 1-05
 ANSI Compliant
 ADA Compliant
 NSF Compliant



Order Codes & Finishes/Colors

Brushed Bronze 523142
 Satin Nickel 523134



Type:
 Job:
 Order Code:
 Approvals: