

Bellevue Kitchen Faucet

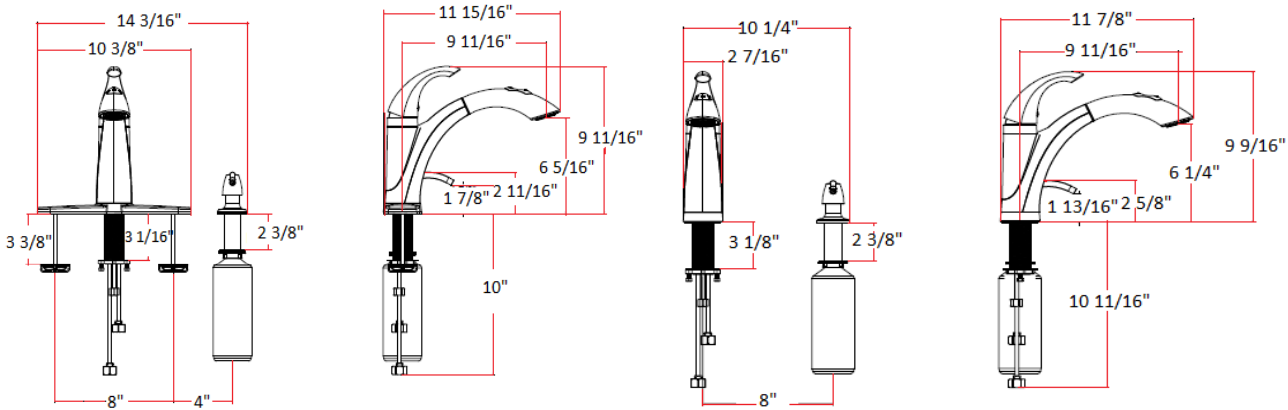


Specifications

Flow Rate (GPM)	2.2GPM @ 60 psi
Material Content	AB 1953 platform
Pop-Up drain	N/A
Spout Reach	9-11/16"
Cartridge	Ceramic Disk
Lever handle operation	(1/4) quarter turn stop
Installation Type	2 Hole
Sprayer	Pull out sprayer with 2 functions External soap dispenser

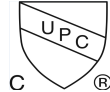


Dimensions



Warranty & Compliances

Warranty	Lifetime Limited Warranty
IAPMO	UPC & cUPC Compliant
ASME	ASME A112. 18. 1-05
ANSI	Compliant
ADA	Compliant
NSF	Compliant
AB-1953	Compliant



Order Codes & Finishes/Colors

Satin Nickel	522847	
Brushed Bronze	522854	

Type:

Job:

Order Code:

Approvals: