

# Air Shower Head Kit

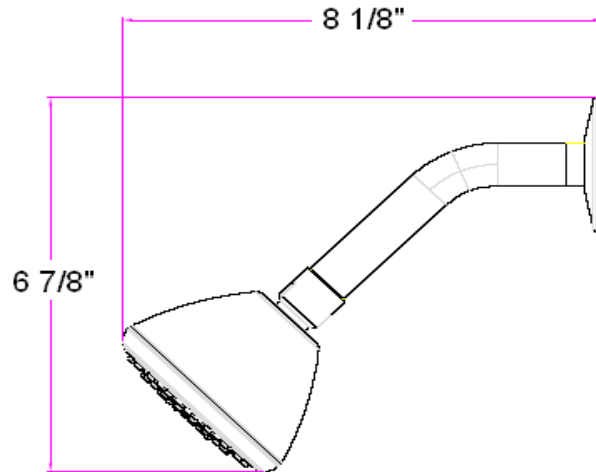
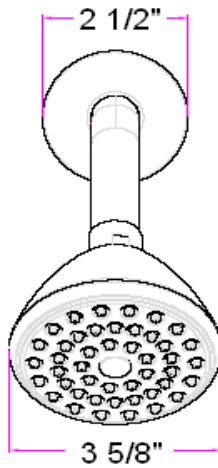


## Specifications

<b>Material</b>	S.S flange, arm and ABS shower head
<b>Functionality</b>	Single function
<b>GPM @ 80PSI</b>	2.0 GPM using valve P# 524744



## Dimensions



## Warranty & Compliances

<b>Warranty</b>	Lifetime Limited Warranty
-----------------	---------------------------



## Order Codes & Finishes/Colors

<b>Satin Nickel (US15)</b>	524785
<b>Oil Rubbed Bronze (US10B)</b>	522698
<b>Polished Chrome (US26)</b>	524769



<b>Type:</b>
<b>Job:</b>
<b>Order Code:</b>
<b>Approvals:</b>

Design House reserves the right to make changes in materials, specifications & models at any time. Design House also reserves the right to discontinue product without notice or obligation.