

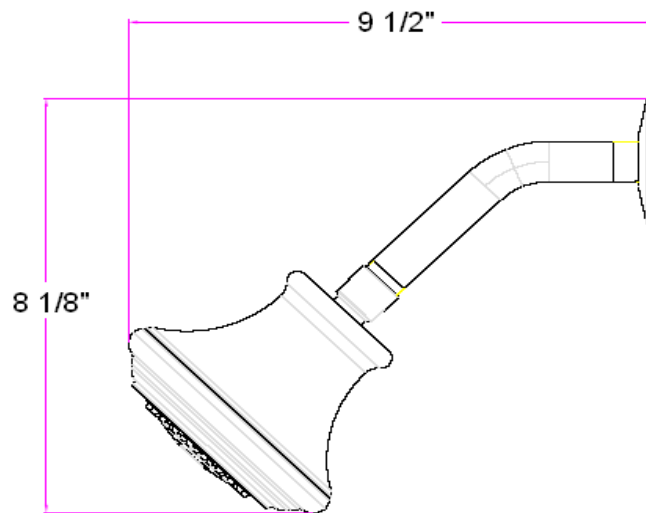
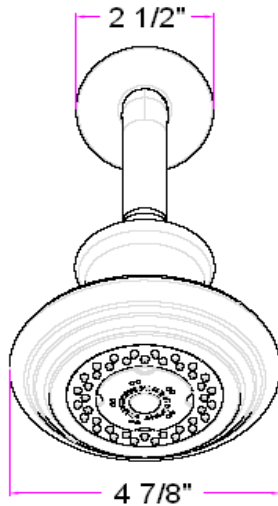
Madison Shower Head Kit

Specifications

Material	S.S flange, arm and ABS shower head
Functionality	Multi-function
GPM @ 80PSI	2.1 GPM using valve P# 524744



Dimensions



Warranty & Compliances

Warranty	Lifetime Limited Warranty
-----------------	---------------------------



Order Codes & Finishes/Colors

Satin Nickel (US15)	522540
Oil Rubbed Bronze (US10B)	522557
Polished Chrome (US26)	522532



Type:
Job:
Order Code:
Approvals:

Design House reserves the right to make changes in materials, specifications & models at any time. Design House also reserves the right to discontinue product without notice or obligation.