

Perth Shower Only Faucet

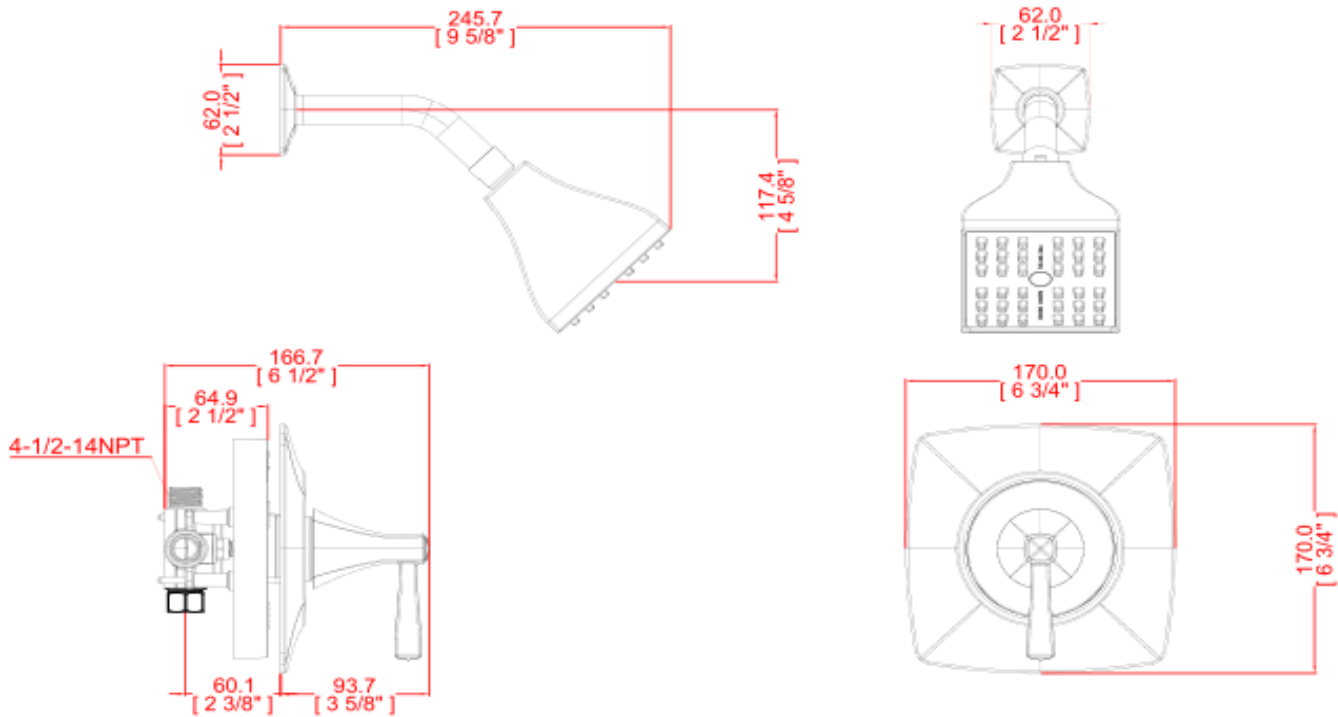


Specifications

Handle	Zinc handle, 1/4 quarter turn stop
Cartridge	Pressure balance Cartridge
Escutcheon	Metal
Max Waterflow	2.0GPM@ 80 PSI
Shower Arm	Metal shower arm
Shower Head	Plastic shower head



Dimensions



Warranty & Compliances

Warranty	Lifetime Limited Warranty, Lifetime Limited Finish Warranty
IAPMO/UPC	CUPC compliant
ASME	ASME A112.18.1/ CSA B125.1
ADA	Compliant



Order Codes & Finishes/Colors

Satin Nickel (US15)
POLISHED CHROME

546978
521922



Type:	
Job:	
Order Code:	
Approvals:	Design House is a registered brand of DHI Corp. Mequon, WI * 800-558-8700

11/18/2015

www.todaysdesignhouse.com

