

# KIMBALL 3LT Vanity

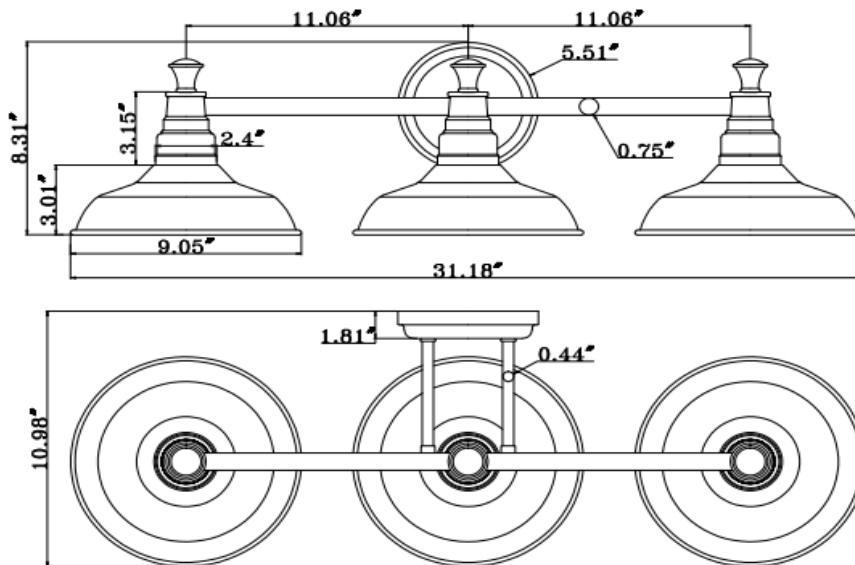


## Specifications

<b>Material Construction:</b>	Formed Steel
<b>Lens:</b>	Metal shade
<b>Lens Dimensions:</b>	6 1/8" H x 9" Dia (each)
<b>Lamp Type &amp; Wattage:</b>	Three 60W, medium base incandescent lamps (or equivalent)
<b>Mounting:</b>	Wall mounted
<b>Finish:</b>	Textured Coffe Bronze finish
<b>Voltage:</b>	120V
<b>Weight:</b>	4.4 lbs
<b>Companion Fixtures:</b>	Wall mounts, vanity, pendants, semi flush mounts



## Dimensions



## Warranty & Compliances

<b>Warranty</b>	10 Year Limited Warranty
<b>UL</b>	ETL/cETL listed, suitable for damp locations
<b>ADA</b>	N/A
<b>EnergyStar</b>	N/A



Intertek

## Companion Fixtures

<b>KIMBALL 3LT Vanity Textured Coffe Bronze</b>	520320
<b>KIMBALL 3LT Vanity Galvanized</b>	520312

<b>Type:</b> <b>Job:</b> <b>Order Code:</b> <b>Approvals:</b>
--

Design House reserves the right to make changes in materials, specifications & models at any time. Design House also reserves the right to discontinue product without notice or obligation.