

6" Remodel Housing

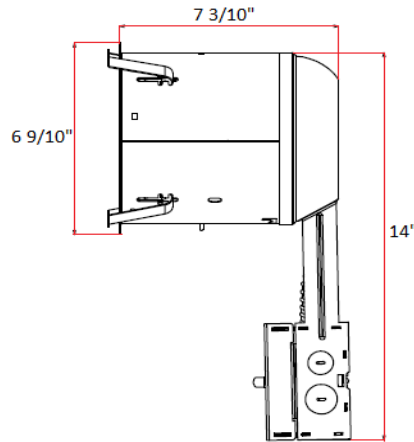


Specifications

Material Construction:	Formed Steel
Installation:	Adaptable IC and Non-IC installations
Voltage:	120 V
Weight:	2.374 lbs
Lamp Type & Wattage:	40W-90W medium based bulbs (dependant on trim)
Companion Fixtures:	6" recessed light trim



Dimensions



Warranty & Compliances

Warranty	10 Year Limited Warranty
UL	UL/cUL; Suitable for damp locations
ADA	N/A
EnergyStar	N/A



Order Codes

519520

Type:
Job:
Order Code:
Approvals:

Design House reserves the right to make changes in materials, specifications & models at any time. Design House also reserves the right to discontinue product without notice or obligation.