

# 6" Recessed Housing

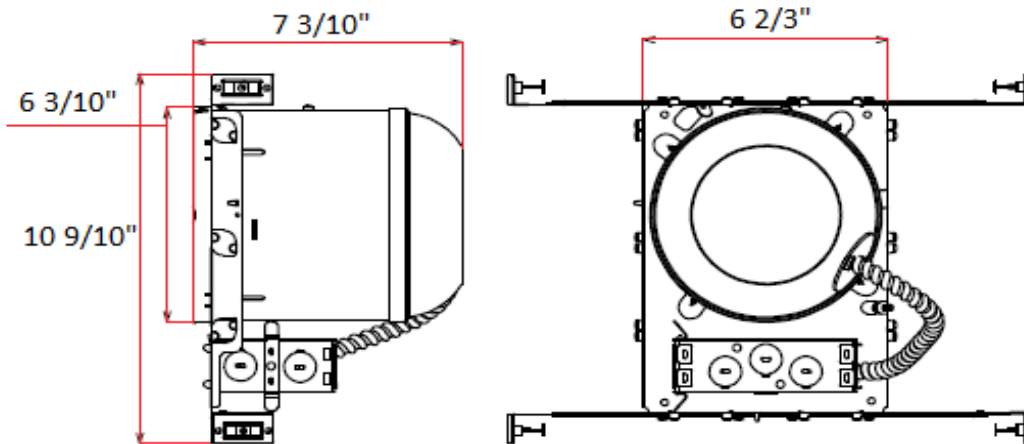


## Specifications

<b>Material Construction:</b>	Formed Steel
<b>Installation:</b>	Adaptable IC and Non-IC installations
<b>Voltage:</b>	120V
<b>Weight:</b>	2.028 lbs
<b>Hardware:</b>	Nail-in hanger bars included
<b>Lamp type and wattage:</b>	40W-90W medium based bulbs (dependant on trim)
<b>Companion Fixtures:</b>	6" recessed light trim



## Dimensions



## Warranty & Compliances

<b>Warranty</b>	10 Year Limited Warranty
<b>UL</b>	UL/cUL; Suitable for damp locations
<b>ADA</b>	N/A
<b>EnergyStar</b>	N/A



## Order Codes

519512

<b>Type:</b>
<b>Job:</b>
<b>Order Code:</b>
<b>Approvals:</b>

Design House reserves the right to make changes in materials, specifications & models at any time. Design House also reserves the right to discontinue product without notice or obligation.