

Ridgeway 1LT Wall Mount SN

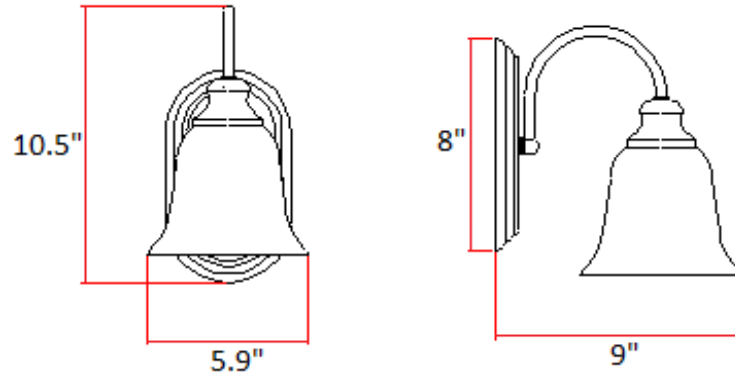


Specifications

Material Construction:	Formed steel
Lens:	Alabaster glass
Lamp Type & Wattage:	One 60W, medium base incandescent bulb
Mounting:	Wall mounted, suitable for up/down mounting
Finish:	Satin Nickel (US 15)
Voltage:	120V
Weight:	3 lbs.
Companion Fixtures:	Chandeliers, wall mounts, mini pendant



Dimensions



Warranty & Compliances

Warranty	10 Year Limited Warranty
UL	UL/cUL Listed; Suitable for damp locations
ADA	N/A
EnergyStar	N/A



Companion Fixtures

1 LT Wall Mount	519447	
2 LT Wall Mount	519454	
3 LT Wall Mount	519462	
4 LT Wall Mount	519470	
5 LT Chandelier	519405	
3 LT Chandelier	519413	
Mini Pendant	519439	

Type:

Job:

Order Code:

Approvals:

Design House reserves the right to make changes in material, specifications & models at any time. Design House also reserves the right to discontinue without notice or obligation