

# Ridgeway 3LT Chandelier SN

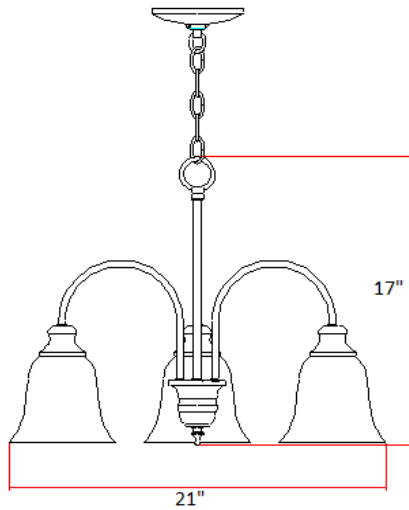


## Specifications

<b>Material Construction:</b>	Formed Steel
<b>Lens:</b>	Alabaster glass
<b>Lamp Type &amp; Wattage:</b>	Three 60W, medium base incandescent bulbs
<b>Mounting:</b>	Ceiling mounted
<b>Finish:</b>	Satin Nickel (US15)
<b>Voltage:</b>	120V
<b>Weight:</b>	9 lbs.
<b>Companion Fixtures:</b>	Chandeliers, wall mounts, mini pendant



## Dimensions



## Warranty & Compliances

<b>Warranty</b>	10 Year Limited Warranty
<b>UL</b>	UL/cUL Listed; Suitable for dry locations
<b>ADA</b>	N/A
<b>EnergyStar</b>	N/A



## Companion Fixtures

<b>3 LT Chandelier</b>	519413	
<b>1 LT Wall Mount</b>	519447	
<b>2 LT Wall Mount</b>	519454	
<b>3 LT Wall Mount</b>	519462	
<b>4 LT Wall Mount</b>	519470	
<b>5 LT Chandelier</b>	519405	
<b>Mini Pendant</b>	519439	

**Type:**

**Job:**

**Order Code:**

**Approvals:**

Design House reserves the right to make changes in material, specifications & models at any time. Design House also reserves the right to discontinue without notice or obligation