

BARCELONA Outdoor Wall Mount SN

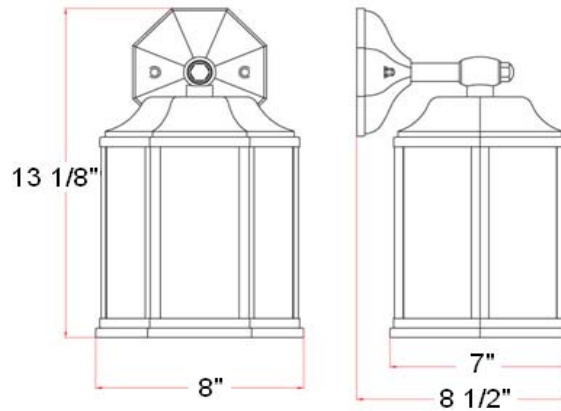


Specifications

Material Construction:	Formed Steel
Lens:	Frosted glass
Lamp Type & Wattage:	One 60W, medium base incandescent lamp
Mounting:	Wall mounted
Finish:	Satin Nickel (US15)
Voltage:	120V
Weight:	4.62 lbs



Dimensions



Warranty & Compliances

Warranty	10 Year Limited Warranty
UL	UL/cUL, suitable for damp location
ADA	N/A
EnergyStar	N/A



Companion Fixtures

Satin Nickel (US15)

519223



Type:

Job:

Order Code:

Approvals:

Design House reserves the right to make changes in materials, specifications & models at any time. Design House also reserves the right to discontinue product without notice or obligation.