

# IRONWOOD 9 LT Chandelier

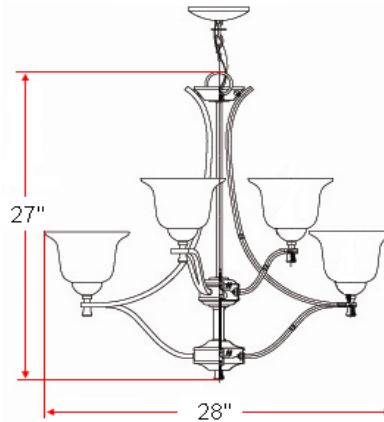


## Specifications

<b>Material Construction:</b>	Formed Steel
<b>Lens:</b>	Snow glass
<b>Lamp Type &amp; Wattage:</b>	Nine 60W, medium base incandescent lamps
<b>Mounting:</b>	Ceiling mounted
<b>Finish:</b>	Brushed Bronze
<b>Voltage:</b>	120V
<b>Weight:</b>	21.03 lbs
<b>Companion Fixtures:</b>	Chandeliers, wall/vanity lights, ceiling mounts, pendants



## Dimensions



## Warranty & Compliances

<b>Warranty</b>	10 Year Limited Warranty
<b>UL</b>	UL/cUL; Suitable for damp locations
<b>ADA</b>	N/A
<b>EnergyStar</b>	N/A



## Companion Fixtures

	<i>Statuary Bronze</i>	<i>Brushed Bronze</i>
<b>9 LT Chandelier</b>	n/a	517755
<b>1 LT Wall Sconce</b>	509232	517722
<b>1 LT Wall Mount</b>	509281	517540
<b>2 LT Wall Mount</b>	511774	
<b>3 LT Vanity Light</b>	509240	517649
<b>4 LT Vanity Light</b>	511782	517656
<b>2 LT Semi Flush Mount</b>	509216	517631
<b>2 LT Ceiling Mount</b>	509224	517532
<b>3 LT Chandelier</b>	509190	517757
<b>5 LT Chandelier</b>	509182	517748
<b>Mini Pendant</b>	509208	517730

**Type:**

**Job:**

**Order Code:**

**Approvals:**

Design House reserves the right to make changes in materials, specifications & models at any time. Design House also reserves the right to discontinue product without notice or obligation.