

# TREVIE Pendant

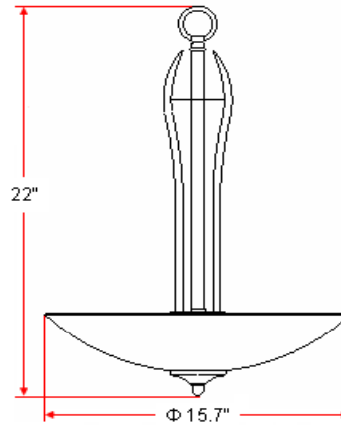


## Specifications

<b>Material Construction:</b>	Formed Steel
<b>Lens:</b>	Antique Alabaster Glass
<b>Lamp Type &amp; Wattage:</b>	Two 60W, medium base incandescent lamps
<b>Mounting:</b>	Ceiling mounted
<b>Finish:</b>	Oil Rubbed Bronze (US10B)
<b>Voltage:</b>	120V
<b>Weight:</b>	7.0 lbs
<b>Companion Fixtures:</b>	Chandeliers, wall/vanity lights, ceiling mounts, pendants



## Dimensions



## Warranty & Compliances

<b>Warranty</b>	10 Year Limited Warranty
<b>UL</b>	UL/cUL
<b>ADA</b>	N/A
<b>EnergyStar</b>	N/A



## Companion Fixtures

<b>Pendant</b>	517391	
<b>1 LT Wall Mount</b>	517441	
<b>2 LT Wall Mount</b>	517458	
<b>3 LT Vanity Light</b>	517466	
<b>4 LT Vanity Light</b>	517474	
<b>2 LT Ceiling Mount</b>	517375	
<b>3 LT Chandelier</b>	517409	
<b>5 LT Chandelier</b>	517490	
<b>Mini Pendant</b>	517516	

Type:

Job:

Order Code:

Approvals:

Design House reserves the right to make changes in materials, specifications & models at any time. Design House also reserves the right to discontinue product without notice or obligation.