

MILLBRIDGE (Satin Nickel) 3 LT Vanity Light

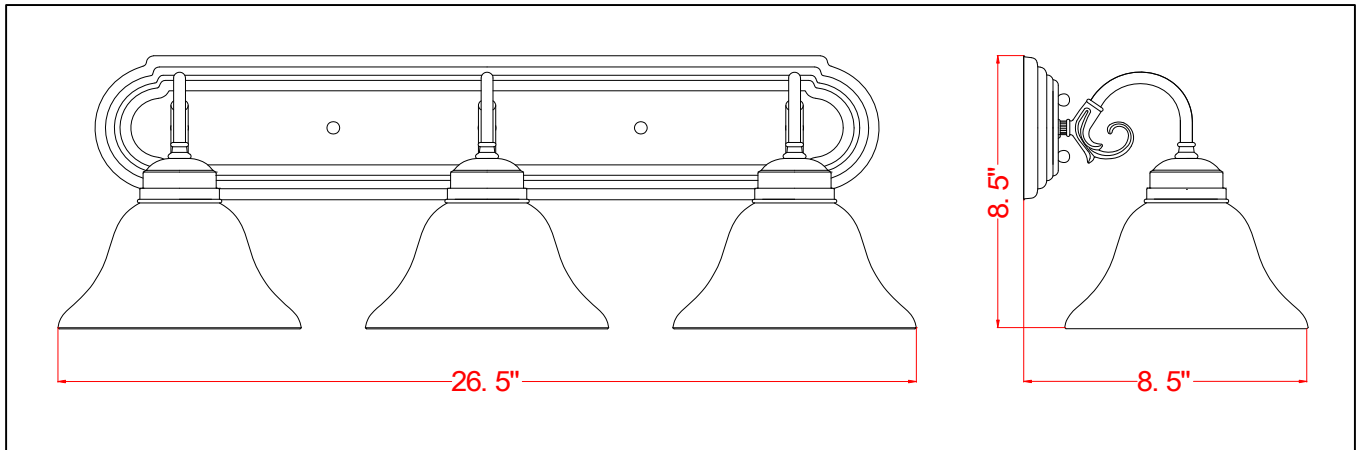


Specifications

Material Construction:	Formed Steel
Lens:	Alabaster glass
Lamp Type & Wattage:	Three 60W, medium base incandescent lamp
Mounting:	Wall mounted; Suitable for up/down mounting
Finish:	Satin Nickel (US15)
Voltage:	120V
Weight:	5.6 lbs
Companion Fixtures:	Chandeliers, wall sconce, wall mounts, pendants & ceiling mounts



Dimensions



Warranty & Compliances

Warranty	10 Year Limited Warranty
UL	UL/cUL listed; Suitable for damp locations
ADA	N/A
EnergyStar	N/A



Companion Fixtures

1 LT Wall Sconce	511584
1 LT Wall Mount	511618
2 LT Wall Mount	511600
1 LT Ceiling Mount (6 ^{3/4} " x 6")	511592
1 LT Ceiling Mount (5" x 7")	511576
2 LT Ceiling Mount (5" x 9 ^{1/2} ")	511568
2 LT Ceiling Mount (7" x 13 ^{1/4} ")	511550
3 LT Chandelier	511543
5 LT Chandelier	511535
3 LT Vanity Light	517383
4 LT Vanity Light	519215
Pendant	511626
Mini Pendant	511634



Type:

Job:

Order Code:

Approvals: