

3" Recessed Housing

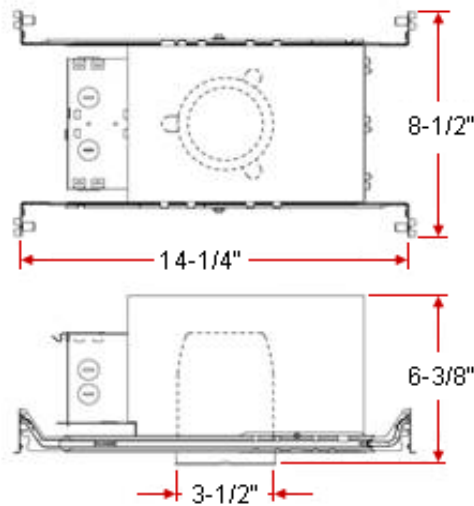


Specifications

Material Construction:	Formed Steel
Installation:	for IC adaptable installations; new construction
Voltage:	120V
Weight:	2.38 lbs
Hardware:	nail-in hanger bars included
Lamp type and wattage:	use maximum voltage 50W incandescent
	See trim maximum wattage limits
Companion Fixtures:	3" recessed light trims



Dimensions



Warranty & Compliances

Warranty	5 Year Limited Warranty
UL	UL Listed; Suitable for damp locations
ADA	N/A
EnergyStar	N/A
WA State Compliance	Washington State Energy Code compliant



Order Codes

Housing	517193
Trims	
WHT trim W/alum reflector	517201
WHT baffle W/wall wash	517219
WHT pinhole W/alum reflector	517227

Type: Job: Order Code: Approvals:
--