

# Bristol Pendant

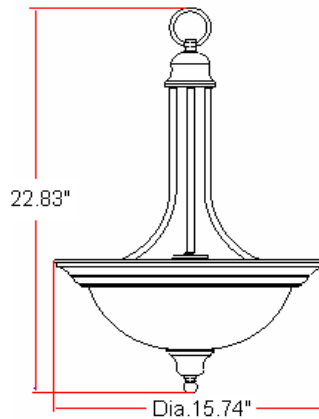


## Specifications

|                                 |   |
|---------------------------------|---|
| <b>Material Construction:</b>   | Formed Steel  |
| <b>Lens:</b>                    | Alabaster glass                                     |
| <b>Lamp Type &amp; Wattage:</b> | Two 60W, medium base incandescent lamps             |
| <b>Mounting:</b>                | Ceiling mounted                                     |
| <b>Finish:</b>                  | Satin Nickel (US15)                                 |
| <b>Voltage:</b>                 | 120V  |
| <b>Weight:</b>                  | 8 lbs.  |
| <b>Companion Fixtures:</b>      | Chandeliers, wall mounts, pendants & ceiling mounts |



## Dimensions



## Warranty & Compliances

|                   |                          |
|-------------------|--------------------------|
| <b>Warranty</b>   | 10 Year Limited Warranty |
| <b>UL</b>         | UL/cUL listed            |
| <b>ADA</b>        | N/A                      |
| <b>EnergyStar</b> | N/A                      |



## Companion Fixtures

|                          |        |  |
|--------------------------|--------|--|
| <b>Pendant</b>           | 517102 |  |
| <b>1 LT Wall Mount</b>   | 516666 |  |
| <b>2 LT Wall Mount</b>   | 517086 |  |
| <b>3 LT Vanity Light</b> | 510263 |  |
| <b>4 LT Vanity Light</b> | 517128 |  |
| <b>2 LT Flush Mount</b>  | 510297 |  |
| <b>3 LT Chandelier</b>   | 510321 |  |
| <b>5 LT Chandelier</b>   | 510255 |  |
| <b>9 LT Chandelier</b>   | 517136 |  |
| <b>Island Light</b>      | 517110 |  |
| <b>Mini Pendant</b>      | 517094 |  |

**Type:**

**Job:**

**Order Code:**

**Approvals:**

Design House reserves the right to make changes in materials, specifications & models at any time. Design House also reserves the right to discontinue product without notice or obligation.