

IRONWOOD SN 5 LT Chandelier

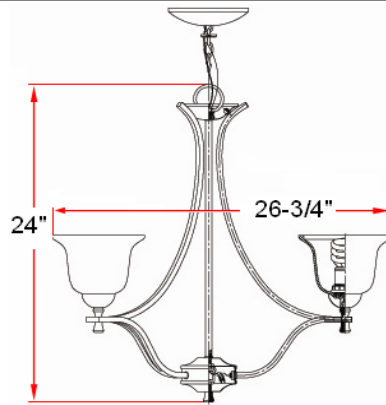


Specifications

Material Construction:	Formed Steel
Lens:	Snow glass
Lamp Type & Wattage:	Five 13W GU 24 CFL lamps (2700K)
Mounting:	Ceiling mounted
Finish:	Satin Nickel (US15)
Voltage:	120V
Weight:	12.1 lbs
Companion Fixtures:	Chandeliers, wall mounts, pendants & ceiling mounts



Dimensions



Warranty & Compliances

Warranty	2 Year Limited Warranty
UL	UL/cUL listed; Suitable for damp locations
ADA	N/A
EnergyStar	compliant



Companion Fixtures

5 LT Chandelier	515544	
1 LT Wall Sconce	515619	
1 LT Wall Mount	515627	
2 LT Wall Mount	515635	
3 LT Vanity Light	515692	
4 LT Vanity Light	515775	
2 LT Semi Flush Mount	515593	
2 LT Ceiling Mount	515601	
3 LT Chandelier	515536	
9 LT Chandelier	515551	
Island Light	515569	
Pendant	515577	
Mini Pendant	515585	

Type:

Job:

Order Code:

Approvals:

Design House reserves the right to make changes in materials, specifications & models at any time. Design House also reserves the right to discontinue product without notice or obligation.