

6" Slope Ceiling New Construction Housing

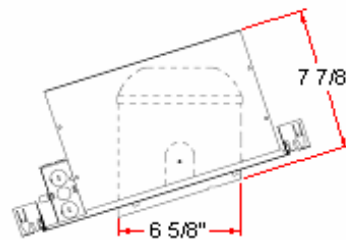
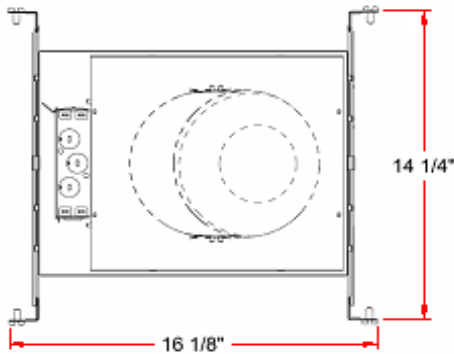


Specifications

Housing Construction:	Formed Steel
Installation:	adaptable IC and Non-IC installations
Voltage:	120V
Weight:	4.27 lbs
Lamp type and wattage:	40W-90W medium based bulbs (dependant on trim)
Companion Fixtures:	6" recessed light trims



Dimensions



Warranty & Compliances

Warranty	10 Year Limited Warranty
UL	UL Listed; Suitable for damp locations
ADA	N/A
EnergyStar	N/A



Order Codes

515437

Type:
Job:
Order Code:
Approvals: