

6" Recessed Kit (Black Baffle Ring Trim)

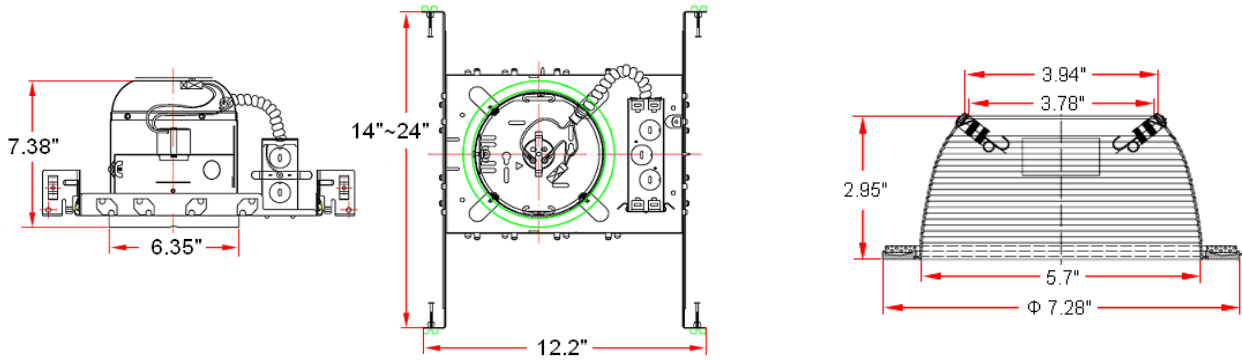


Specifications

Housing Construction:	Formed steel; airtight
Trim Construction:	Black [plastic] baffle and white [steel] trim ring
Installation:	One 6" new construction housing with hanger bars
Voltage:	120V
Weight:	3.34 lbs.
Lamp type and wattage:	IC = 50W PAR 30/R30 Non-IC = 50W PAR30/BR30



Dimensions



Warranty & Compliances

Warranty	5 Year Limited Warranty
UL	UL Listed; suitable for damp locations
ADA	N/A
EnergyStar	N/A
WA State	Washington State Energy Code compliant



Order Codes

Housing & Trim 515064

Type:
Job:
Order Code:
Approvals: