

6" Recessed Kit (White Wide Ring Trim)

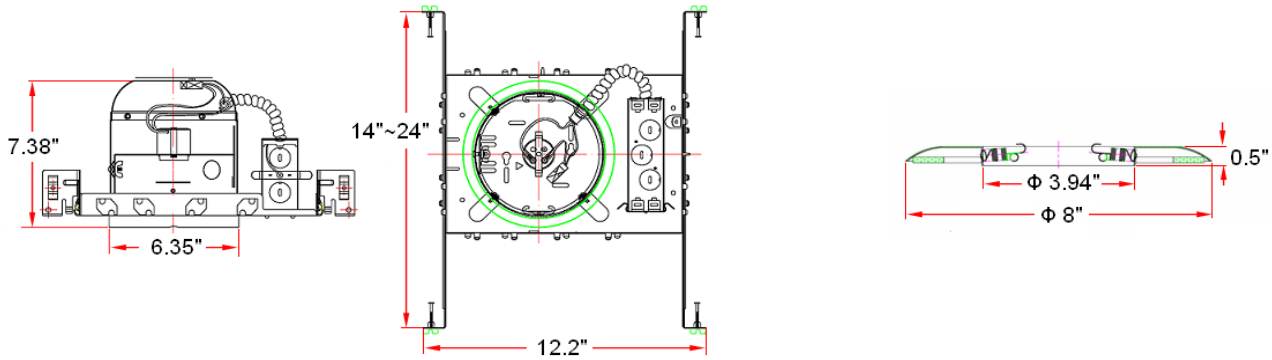


Specifications

Housing Construction:	Formed Steel; airtight
Trim Construction:	White wide trim [steel]
Installation:	One 6" new construction housing with hanger bars
Voltage:	6" IC and Non-IC adaptable housing 120V
Weight:	3.41 lbs.
Lamp type and wattage:	IC = Max. 65W BR30/75W PAR30L Non-IC = Max. 90W PAR 30



Dimensions



Warranty & Compliances

Warranty	5 Year Limited Warranty
UL	UL Listed; Suitable for damp locations
ADA	N/A
EnergyStar	N/A
WA State	Washington State Energy Code compliant



Order Codes

Housing & Trim 515049

Type:
Job:
Order Code:
Approvals: