

# WHITFIELD Downlight

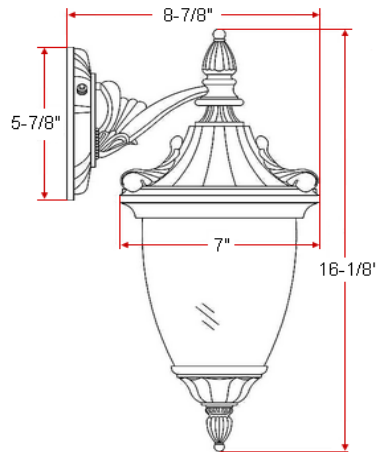


## Specifications

<b>Material Construction:</b>	Formed Aluminum
<b>Lens:</b>	Alabaster glass
<b>Lamp Type &amp; Wattage:</b>	One 18W GU 24 CFL lamp
<b>Mounting:</b>	Wall mounted
<b>Finish:</b>	Bronze
<b>Voltage:</b>	120V
<b>Weight:</b>	3.7 lbs
<b>Companion Fixtures:</b>	Uplight



## Dimensions



## Warranty & Compliances

<b>Warranty</b>	10 Year Limited Warranty
<b>UL</b>	UL/cUL; Suitable for damp locations
<b>ADA</b>	N/A
<b>EnergyStar</b>	N/A



## Order Code

<b>Downlight</b>	512947
<b>Uplight</b>	512939

<b>Type:</b>
<b>Job:</b>
<b>Order Code:</b>
<b>Approvals:</b>