

# COSMO 2 LT Semi Flush Mount

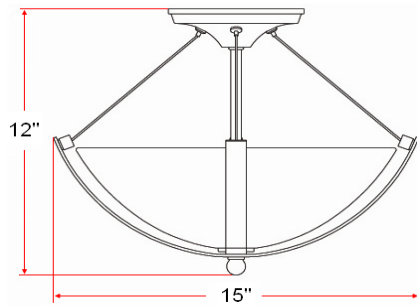


## Specifications

<b>Material Construction:</b>	Formed Steel
<b>Lens:</b>	Frosted glass
<b>Lamp Type &amp; Wattage:</b>	Two 60W, medium base incandescent lamps
<b>Mounting:</b>	Ceiling mounted
<b>Finish:</b>	Polished Chrome (US26)
<b>Voltage:</b>	120V
<b>Weight:</b>	4.29 lbs
<b>Companion Fixtures:</b>	Chandeliers, wall/vanity lights, ceiling mounts, pendants & island lights



## Dimensions



## Warranty & Compliances

<b>Warranty</b>	10 Year Limited Warranty
<b>UL</b>	UL/cUL; Suitable for damp locations
<b>ADA</b>	N/A
<b>EnergyStar</b>	N/A



## Companion Fixtures

<b>2 LT Semi Flush Mount</b>	512780	
<b>1 LT Wall Mount</b>	512814	
<b>2 LT Wall Mount</b>	512806	
<b>3 LT Vanity Light</b>	512822	
<b>4 LT Vanity Light</b>	512830	
<b>2 LT Ceiling Mount</b>	512798	
<b>4 LT Chandelier</b>	512749	
<b>6 LT Chandelier</b>	512723	
<b>9 LT Chandelier</b>	512731	
<b>Island Light</b>	512756	
<b>Pendant</b>	512772	
<b>Mini Pendant</b>	512764	

**Type:**

**Job:**

**Order Code:**

**Approvals:**

Design House reserves the right to make changes in materials, specifications & models at any time. Design House also reserves the right to discontinue product without notice or obligation.