

COSMO Island Light

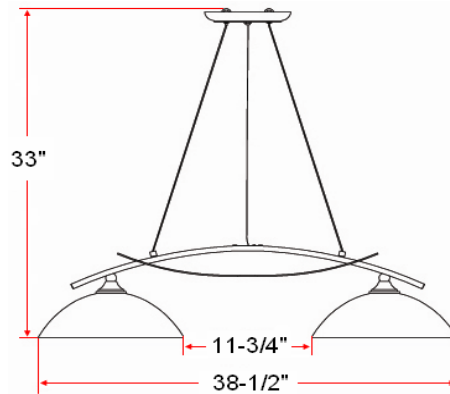


Specifications

Material Construction:	Formed Steel
Lens:	Frosted glass
Lamp Type & Wattage:	Two 60W, medium base incandescent lamps
Mounting:	Ceiling mounted
Finish:	Polished Chrome (US26)
Voltage:	120V
Weight:	8.28 lbs
Companion Fixtures:	Chandeliers, wall/vanity lights, ceiling mounts, pendants & island lights



Dimensions



Warranty & Compliances

Warranty	10 Year Limited Warranty
UL	UL/cUL; Suitable for damp locations
ADA	N/A
EnergyStar	N/A



Companion Fixtures

Island Light	512756	
1 LT Wall Mount	512814	
2 LT Wall Mount	512806	
3 LT Vanity Light	512822	
4 LT Vanity Light	512830	
2 LT Semi Flush Mount	512780	
2 LT Ceiling Mount	512798	
4 LT Chandelier	512749	
6 LT Chandelier	512723	
9 LT Chandelier	512731	
Pendant	512772	
Mini Pendant	512764	

Type:

Job:

Order Code:

Approvals:

Design House reserves the right to make changes in materials, specifications & models at any time. Design House also reserves the right to discontinue product without notice or obligation.