

CAMERON 3 LT Chandelier

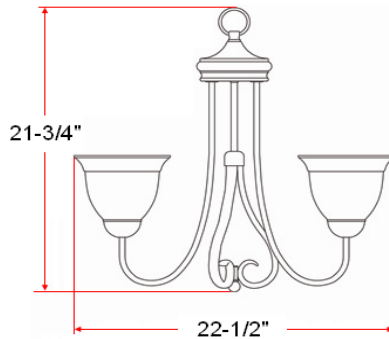


Specifications

Material Construction:	Formed Steel
Lens:	Antique Glass
Lamp Type & Wattage:	Three 60W, medium base incandescent lamps
Mounting:	Ceiling mounted
Finish:	Oil Rubbed Bronze (US10B)
Voltage:	120V
Weight:	9.24 lbs
Companion Fixtures:	Chandeliers, wall/vanity lights, ceiling mounts, pendants & island lights



Dimensions



Warranty & Compliances

Warranty	10 Year Limited Warranty
UL	UL/cUL; Suitable for damp locations
ADA	N/A
EnergyStar	N/A



Companion Fixtures

3 LT Chandelier	512707	
1 LT Wall Mount	512657	
2 LT Wall Mount	512640	
3 LT Vanity Light	512665	
4 LT Vanity Light	512673	
2 LT Semi Flush Mount	512608	
2 LT Ceiling Mount	512616	
6 LT Chandelier	512624	
10 LT Chandelier	512632	
Island Light	512699	
Pendant	512681	
Mini Pendant	512715	

Type:

Job:

Order Code:

Approvals:

Design House reserves the right to make changes in materials, specifications & models at any time. Design House also reserves the right to discontinue product without notice or obligation.