

TREVIE Island Light

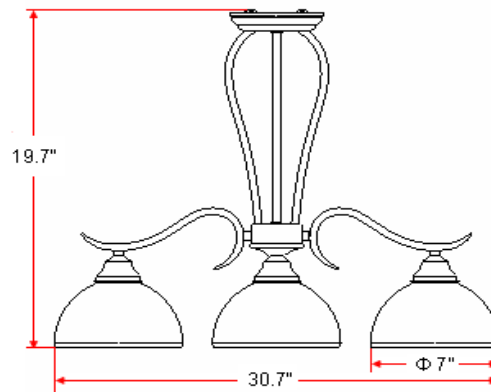


Specifications

Material Construction:	Formed Steel
Lens:	Alabaster Glass
Lamp Type & Wattage:	Three 60W, medium base incandescent lamps
Mounting:	Ceiling mounted
Finish:	Satin Nickel (US15)
Voltage:	120V
Weight:	8.8 lbs
Companion Fixtures:	Chandeliers, wall/vanity lights, ceiling mounts, pendants & island lights



Dimensions



Warranty & Compliances

Warranty	10 Year Limited Warranty
UL	UL/cUL
ADA	N/A
EnergyStar	N/A



Companion Fixtures

Island Light	512574	
1 LT Wall Mount	512517	
2 LT Wall Mount	512509	
3 LT Vanity Light	512541	
4 LT Vanity Light	512558	
2 LT Ceiling Mount	512475	
3 LT Chandelier	512582	
5 LT Chandelier	512483	
9 LT Chandelier	512491	
Pendant	512566	
Mini Pendant	512590	

Type:

Job:

Order Code:

Approvals:

Design House reserves the right to make changes in materials, specifications & models at any time. Design House also reserves the right to discontinue product without notice or obligation.