

SAVANNAH 3 LT Chandelier

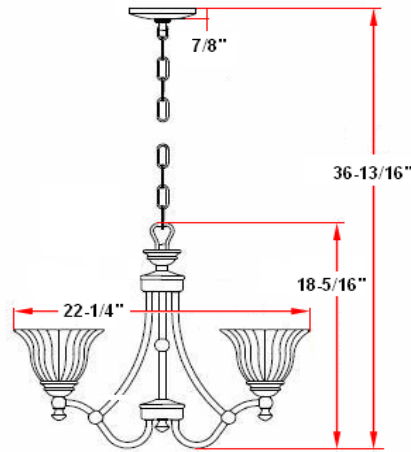


Specifications

Material Construction:	Formed Steel
Lens:	Marble glass
Lamp Type & Wattage:	Three 60W, medium base incandescent lamps
Mounting:	Ceiling mounted
Finish:	Antique Brass (US5)
Voltage:	120V
Weight:	10.14 lbs
Companion Fixtures:	Chandeliers, wall/vanity lights, ceiling mounts, pendants & island lights



Dimensions



Warranty & Compliances

Warranty	10 Year Limited Warranty
UL	UL/cUL; Suitable for damp locations
ADA	N/A
EnergyStar	N/A



Companion Fixtures

3 LT Chandelier	511915	
1 LT Wall Mount	511857	
2 LT Wall Mount	511840	
3 LT Vanity Light	511931	
4 LT Vanity Light	511873	
9 LT Chandelier	511824	
5 LT Chandelier	511816	
Island Light	511907	
Pendant	511881	
Mini Pendant	511923	
Ceiling Mount	511808	

Type:

Job:

Order Code:

Approvals:

Design House reserves the right to make changes in materials, specifications & models at any time. Design House also reserves the right to discontinue product without notice or obligation.