

SAVANNAH 1 LT Wall Mount

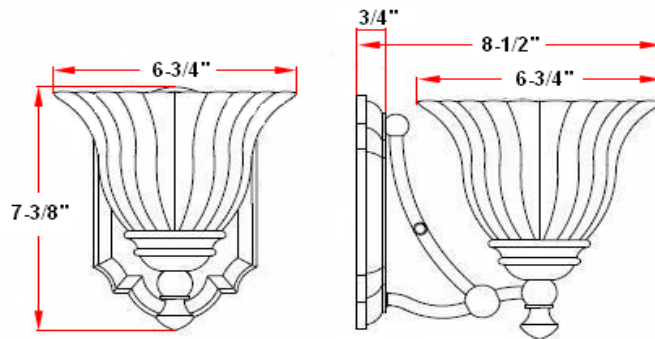


Specifications

| | |
|---------------------------------|---|
| Material Construction: | Formed Steel |
| Lens: | Marble glass |
| Lamp Type & Wattage: | One 60W, medium base incandescent lamp |
| Mounting: | Wall mounted; Suitable for up/down mounting |
| Finish: | Antique Brass (US5) |
| Voltage: | 120V |
| Weight: | 2.69 lbs |
| Companion Fixtures: | Chandeliers, wall/vanity lights, ceiling mounts, pendants & island lights |



Dimensions



Warranty & Compliances

| | |
|-------------------|-------------------------------------|
| Warranty | 10 Year Limited Warranty |
| UL | UL/cUL; Suitable for damp locations |
| ADA | N/A |
| EnergyStar | N/A |



Companion Fixtures

| | | |
|-------------------|--------|--|
| 1 LT Wall Mount | 511857 | |
| 2 LT Wall Mount | 511840 | |
| 3 LT Vanity Light | 511931 | |
| 4 LT Vanity Light | 511873 | |
| 9 LT Chandelier | 511824 | |
| 5 LT Chandelier | 511816 | |
| 3 LT Chandelier | 511915 | |
| Island Light | 511907 | |
| Pendant | 511881 | |
| Mini Pendant | 511923 | |
| Ceiling Mount | 511808 | |

Type:

Job:

Order Code:

Approvals:

Design House reserves the right to make changes in materials, specifications & models at any time. Design House also reserves the right to discontinue product without notice or obligation.