

4" Recessed Housing (New Construction)

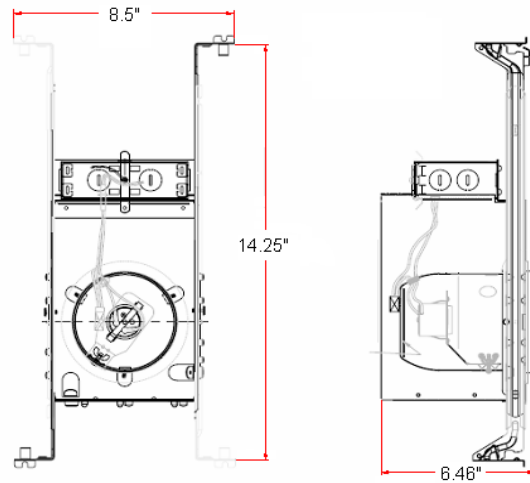


Specifications

Material Construction:	Formed Steel
Installation:	Adaptable IC and Non-IC installations; new construction
Voltage:	120V
Weight:	2.95 lbs
Hardware:	Nail-in hanger bars included
Lamp type and wattage:	Use maximum 50W incandescent
Companion Fixtures:	Maximum wattage may vary; see wattage limits on trim 4" recessed light trims



Dimensions



Warranty & Compliances

Warranty	5 Year Limited Warranty
UL	UL Listed; Suitable for damp locations
ADA	N/A
EnergyStar	N/A



Order Codes

Housing 510842

Type:
Job:
Order Code:
Approvals: